

BIFROST ELITE 120 User Guide

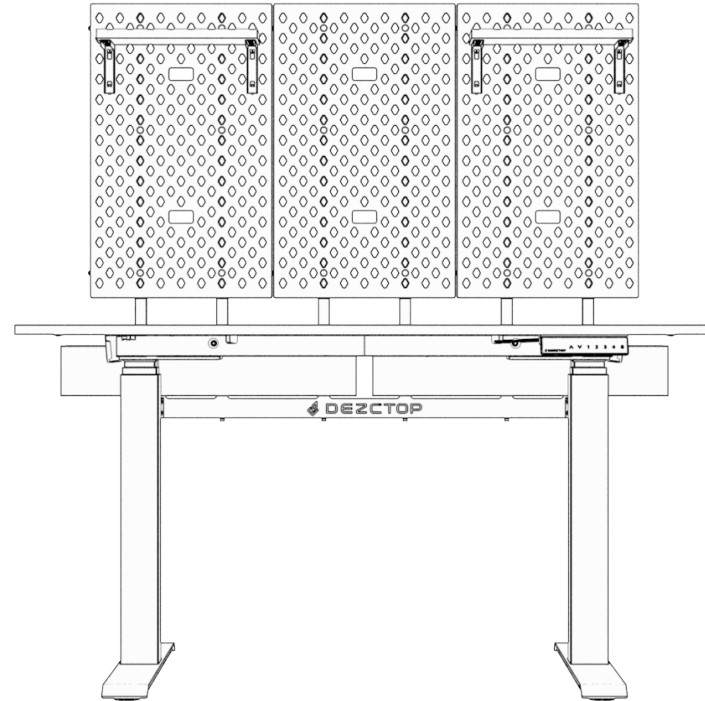


TABLE OF CONTENTS

1 Overview 01

2 Dimensions 02

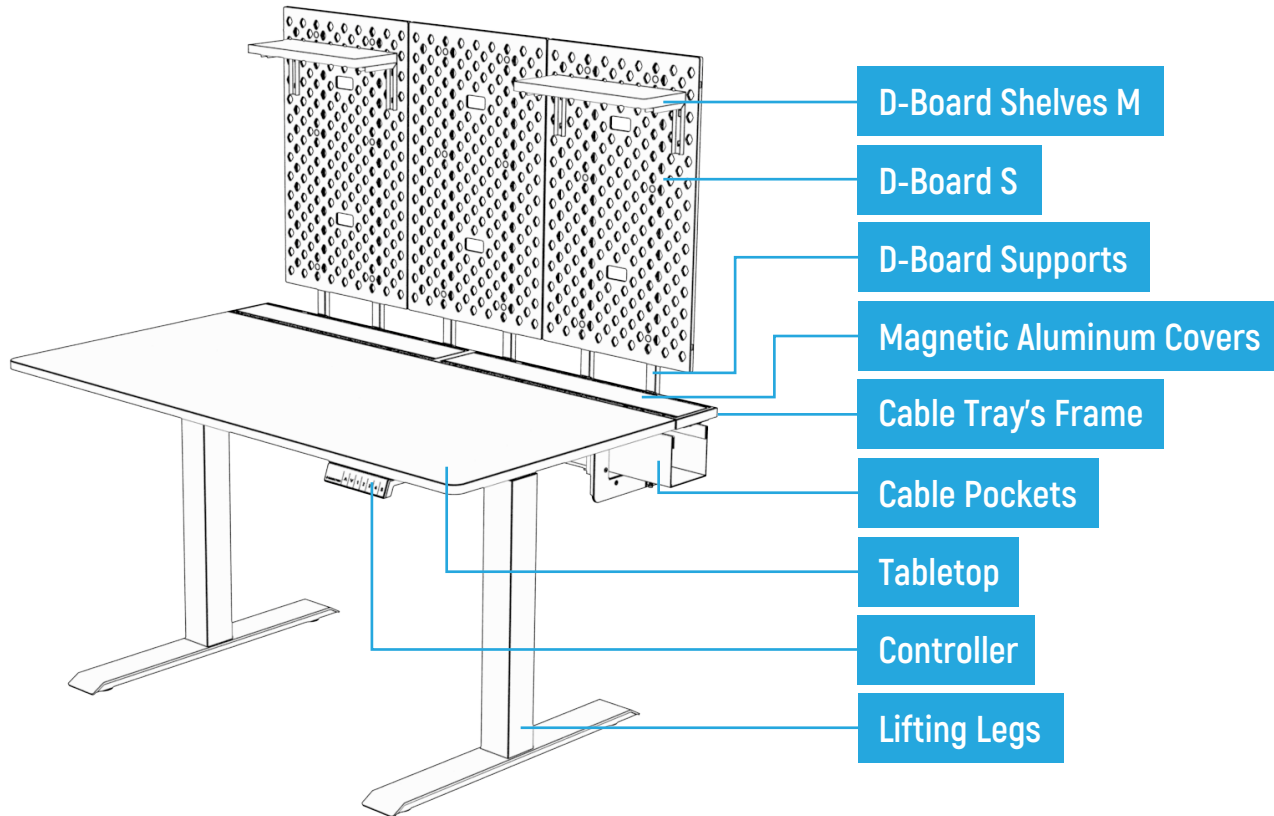
3 Component List 04

4 Screws & Relevant Tools 13

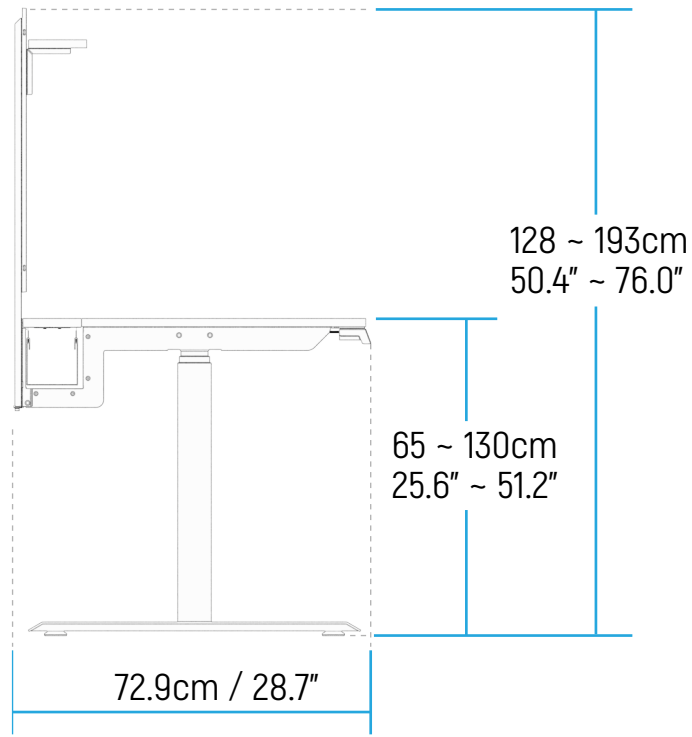
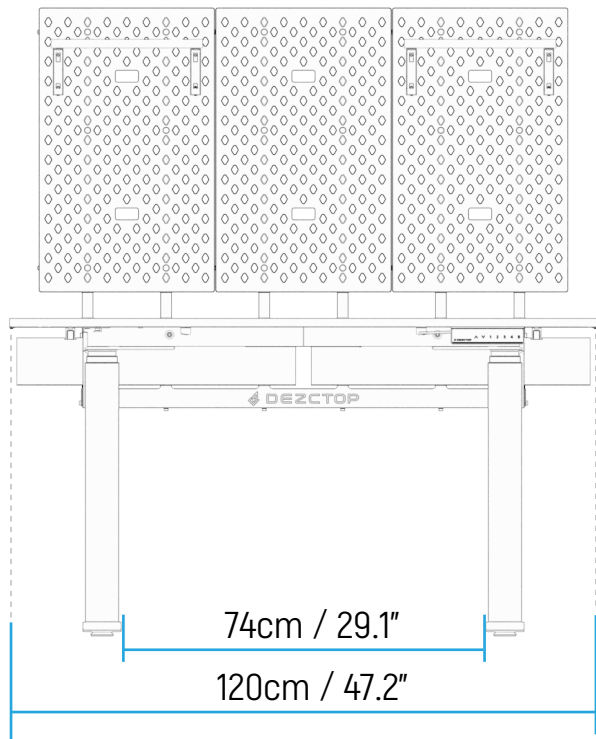
5 Assembly 15

6 Compatible Accessories 90

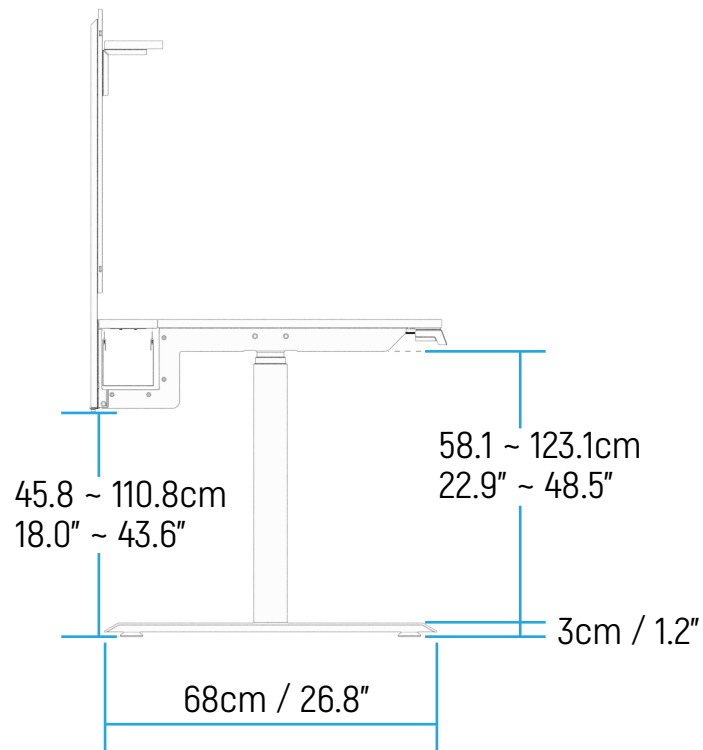
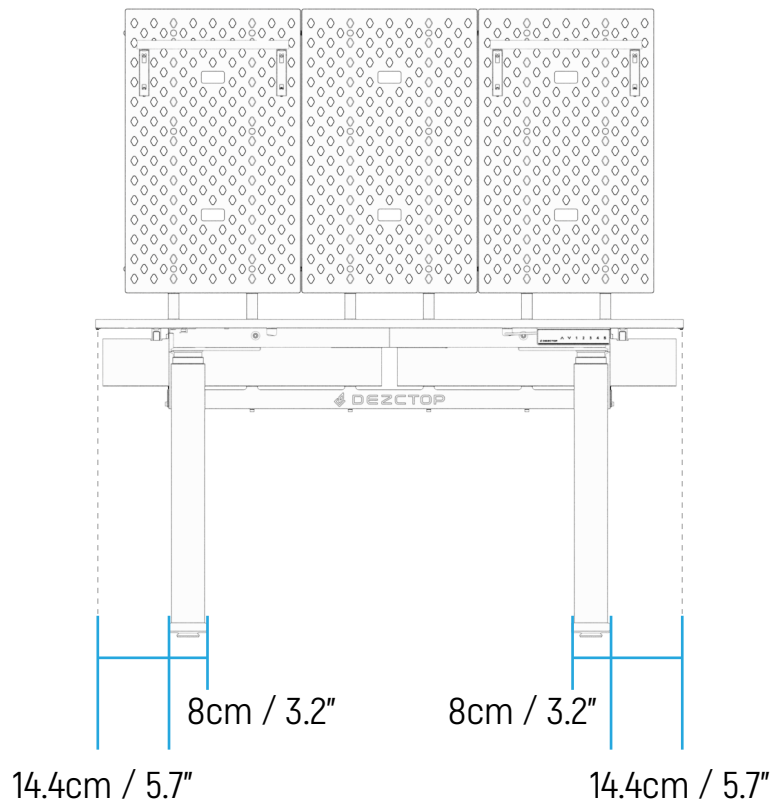
1 OVERVIEW



2 DIMENSIONS



2 DIMENSIONS



3 COMPONENT LIST



3.1 The Tabletop Box 05

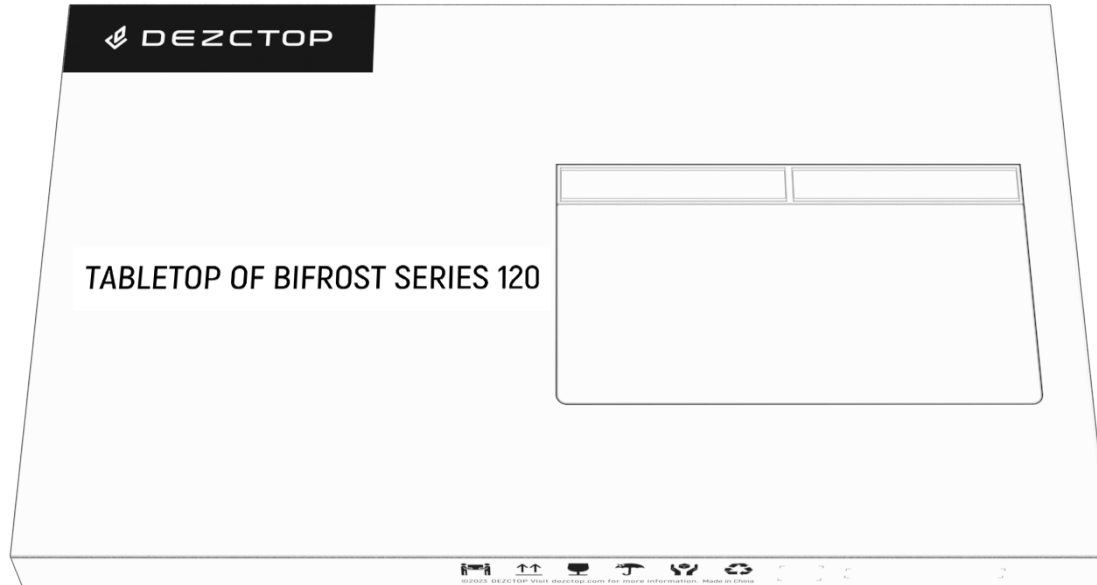
3.2 The Underframe Box 07

3.3 The Accessory Box Inside The Underframe Box ... 09

3.4 The D-Board Kit (3 Pieces) 10

3.5 The Accessory Bag Inside The D-Board Kit (3 Pieces) ... 12

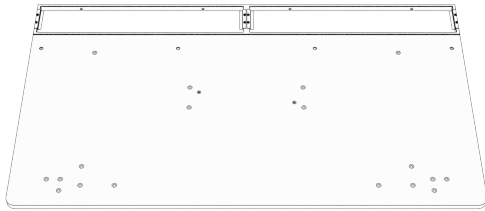
3.1 THE TABLETOP BOX



3.1 THE TABLETOP BOX



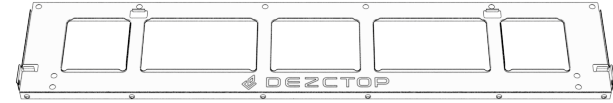
T1



x 1

Tabletop With Cable Tray's Frame

T2



x 1

Support Panel

T3



x 2

Cable Pocket

T4



x 2

Magnetic Aluminum Cover

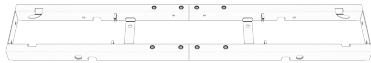
3.2 THE UNDERFRAME BOX



3.2 THE UNDERFRAME BOX



U1



x1

Extendable Underframe

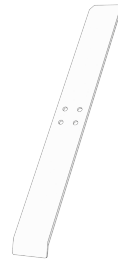
U2



x2

Lifting Column

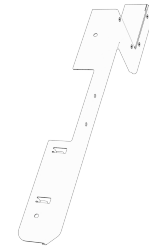
U3



x2

Foot

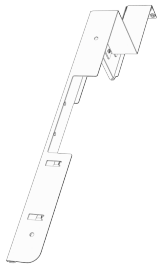
U4



x1

Frame Support - Right

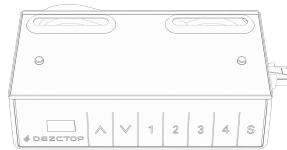
U5



x1

Frame Support - Left

U6



x1

Controller & Holder

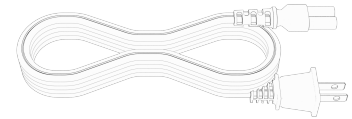
U7



x1

Control Box

U8

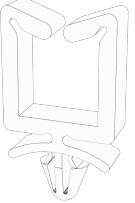
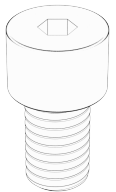

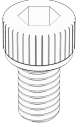
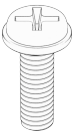
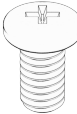




x1

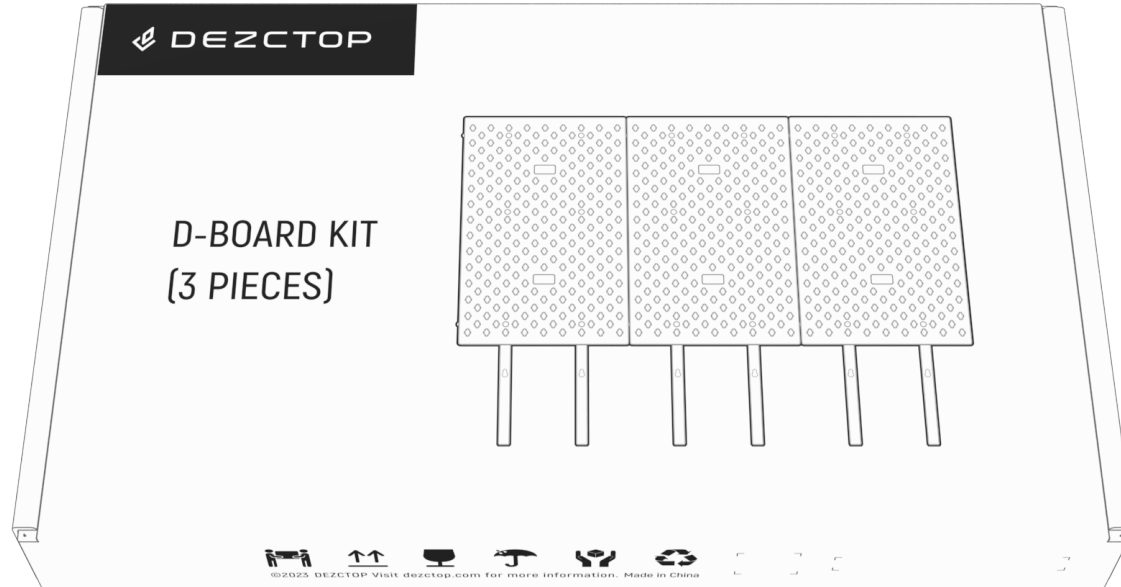
Power Cord

3.3 THE ACCESSORY BOX INSIDE THE UNDERFRAME BOX



<p>U9</p>  <p>x 4</p> <p>Cable Clip</p>	<p>U10</p>  <p>x 8</p> <p>M10 x 16 Socket Head Cap Screw</p>	<p>U11</p>  <p>x 4</p> <p>M6 x 16 Socket Head Cap Screw</p>	<p>U12</p>  <p>x 26</p> <p>M6 x 10 Socket Head Cap Screw</p>
<p>U13</p>  <p>x 2</p> <p>M4 x 12 Cross Screw</p>	<p>U14</p>  <p>x 2</p> <p>M6 x 10 Cross Screw</p>	<p>U15</p>  <p>x 1</p> <p>5mm Hex Key</p>	<p>U16</p>  <p>x 1</p> <p>Cross Screwdriver</p>

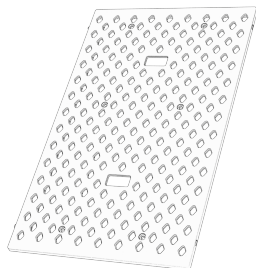
3.4 THE D-BOARD KIT (4 PIECES) BOX



3.4 THE D-BOARD KIT (4 PIECES) BOX



D1



x 3

D-Board S

D2



x 6

D-Board Support

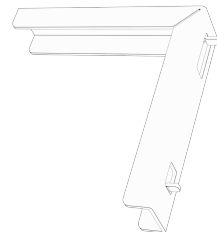
D3



x 2

Board of D-Board Shelves M

D4



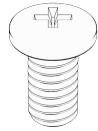
x 4

L-Bracket

3.5 THE ACCESSORY BAG INSIDE THE D-BOARD KIT (4 PIECES) BOX



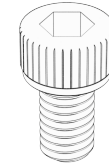
D5



x 26

M6 x 10 Cross Screw

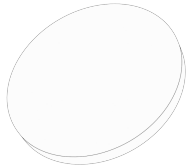
D6



x 6

M6 x 10 Socket Head Cap Screw

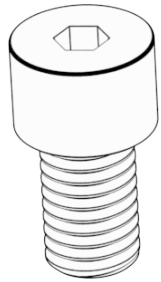
D7



x 18

Screw Cap

4. SCREWS & REVELANT TOOLS



M10 x 16



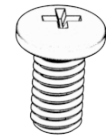
M6 x 16



M6 x 10

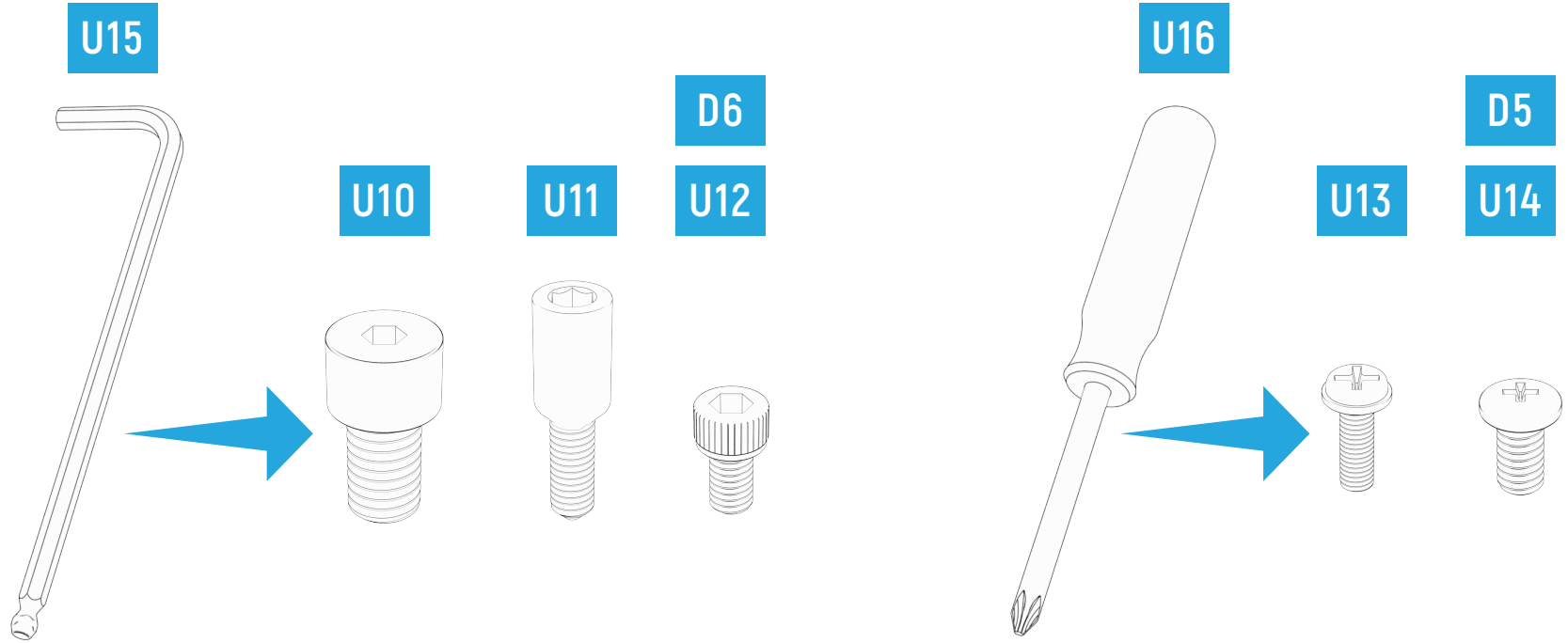


M4 x 12



M6 x 10

4. SCREWS & REVELANT TOOLS



5 ASSEMBLY



5.1 Assemble The Frame 16

5.2 Install The Control Box 30

5.3 Install The Controller 39

5.4 Operation of The Controller 47

5.5 Troubleshooting 53

5.6 Assemble The Support Panel 55

5.7 Assemble The Cable Pockets 62

5.8 Assemble The Magnetic Covers 66

5.9 Assemble The D-Board 71

5.10 Assemble The Shelves 83

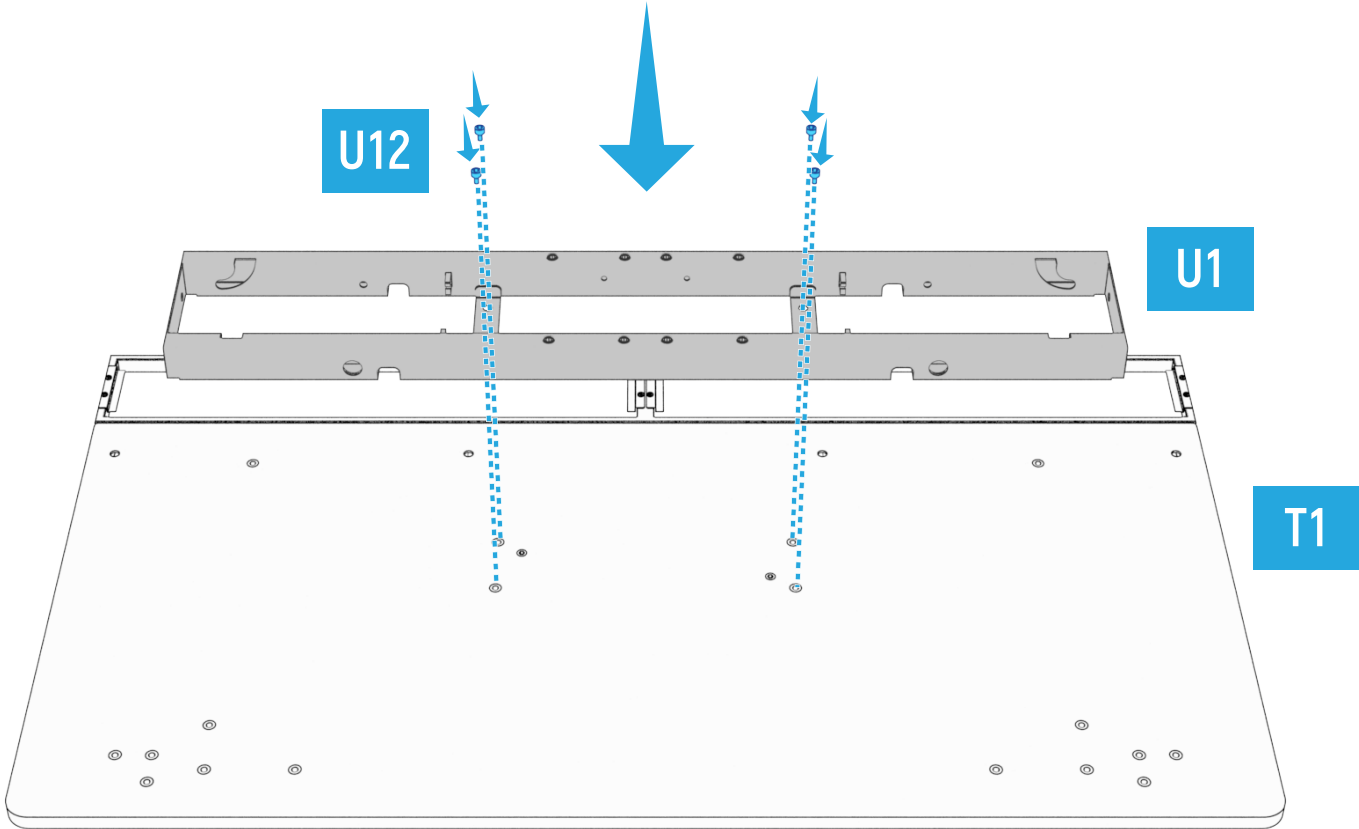
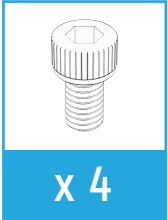


5.1 ASSEMBLE THE FRAME

5.1 ASSEMBLE THE FRAME



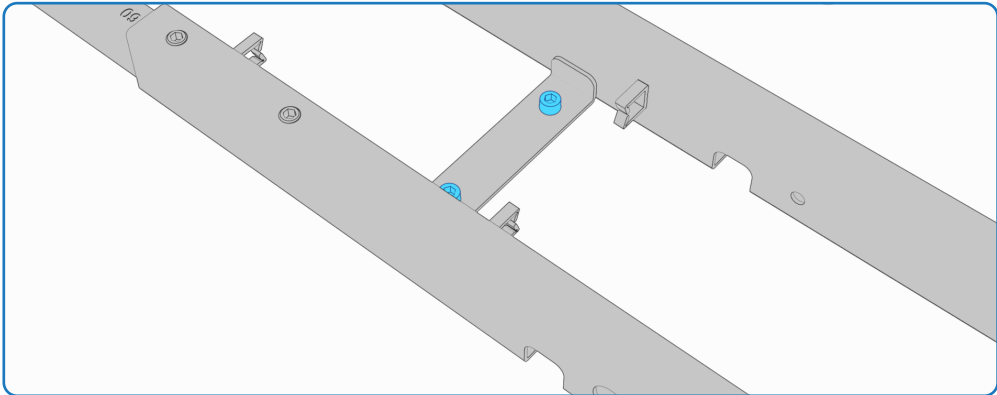
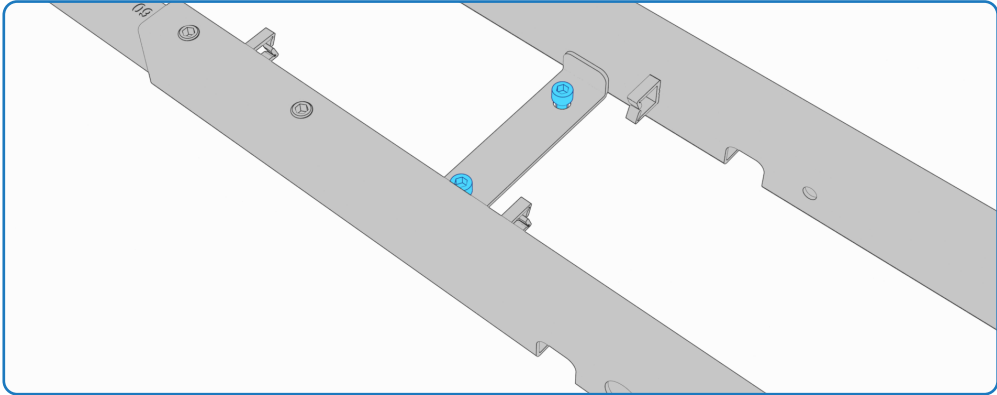
1



5.1 ASSEMBLE THE FRAME



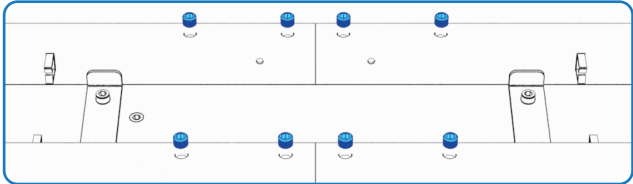
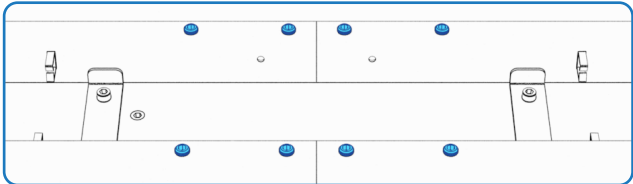
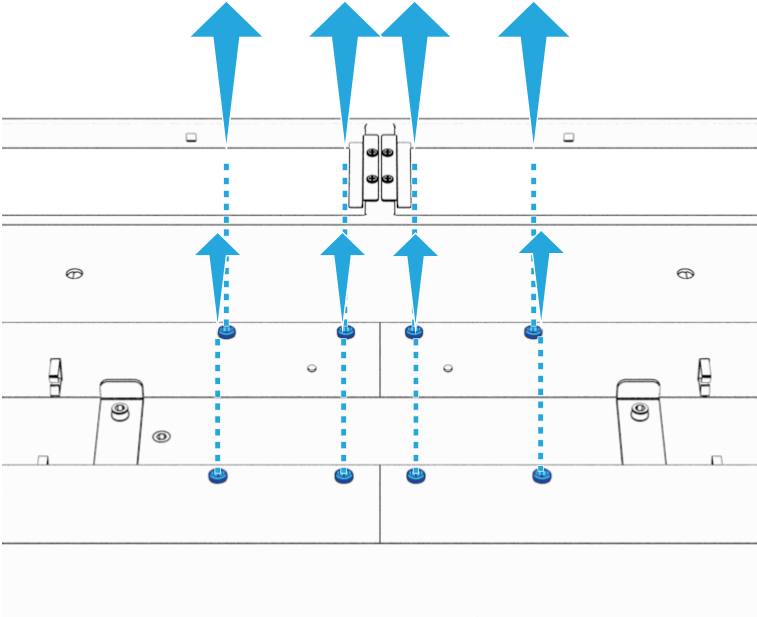
1



5.1 ASSEMBLE THE FRAME



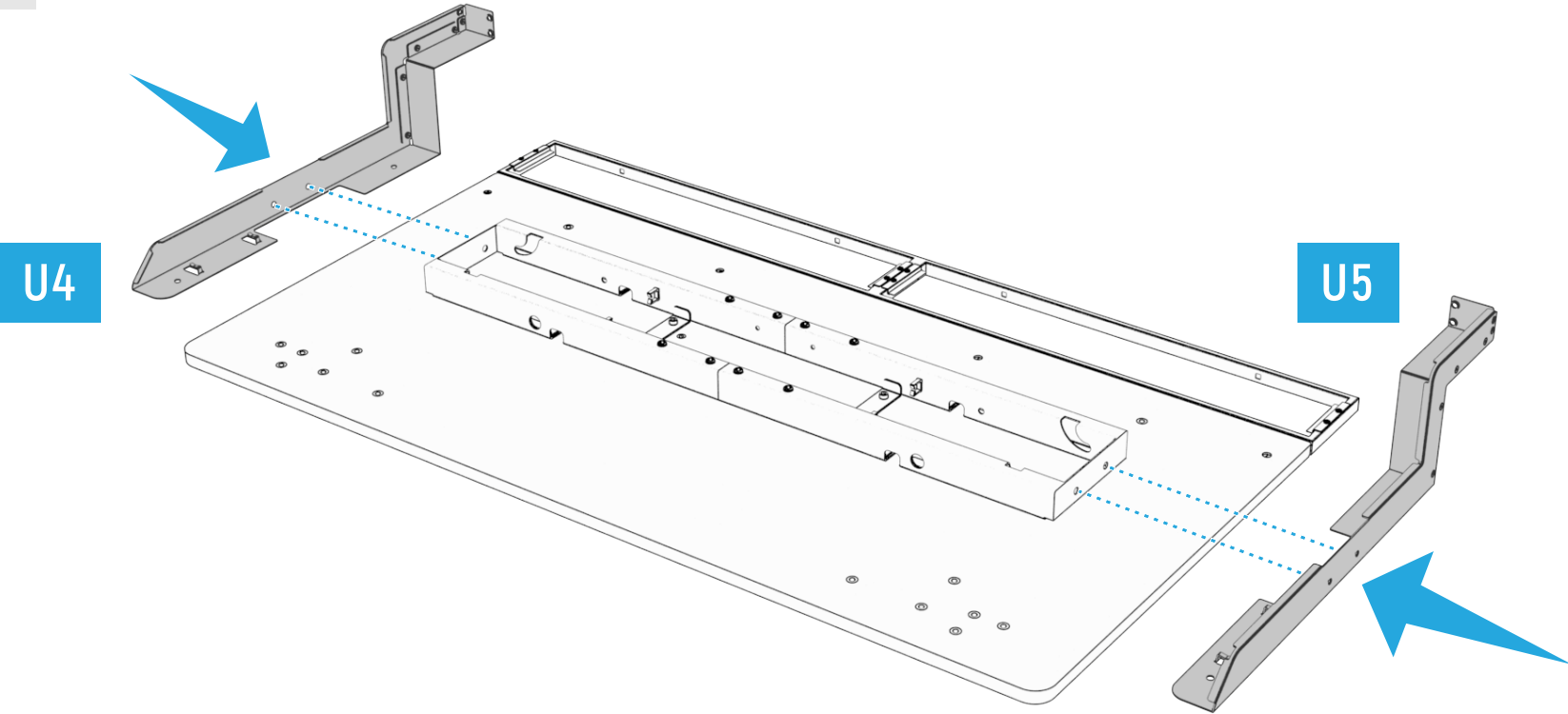
2



5.1 ASSEMBLE THE FRAME



3

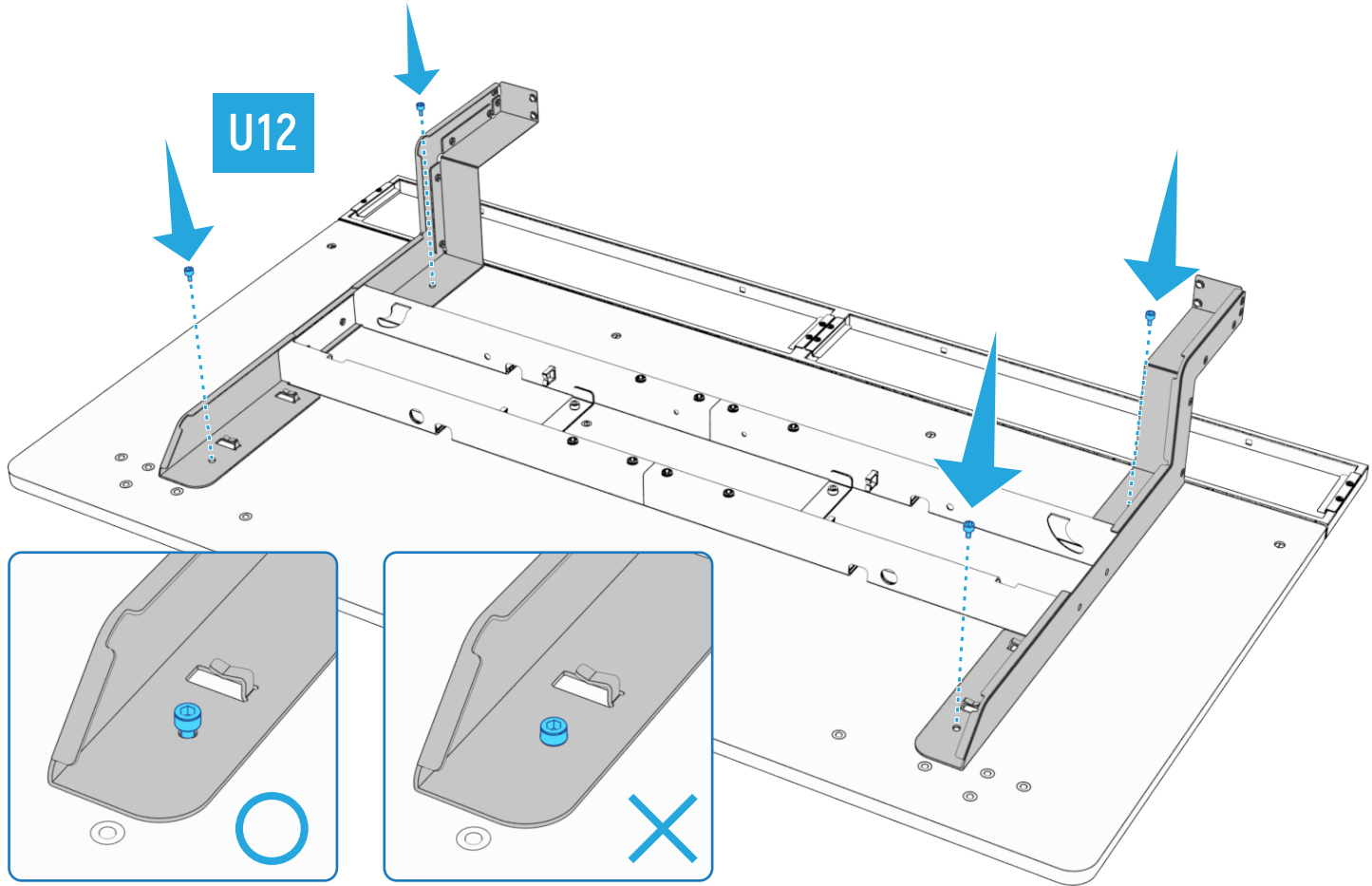
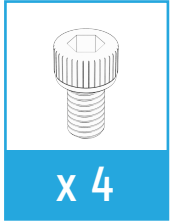


5.1 ASSEMBLE THE FRAME



3

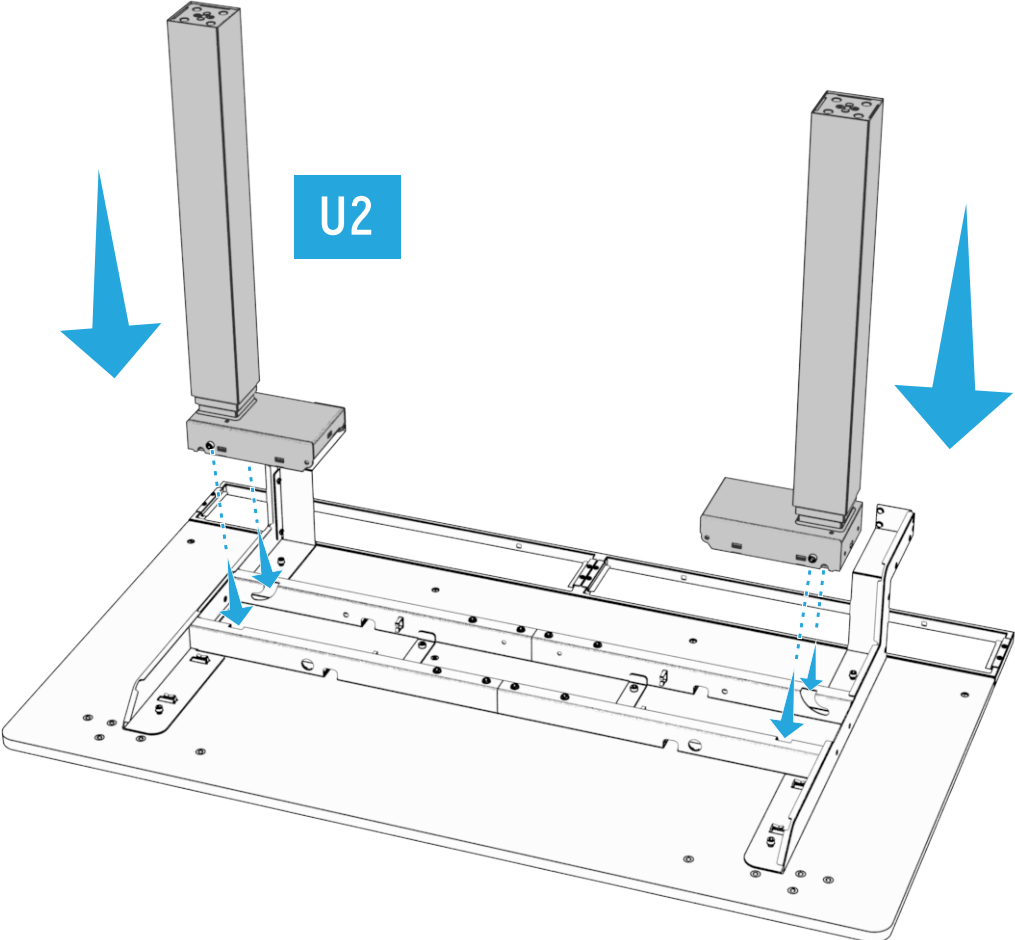
U12



5.1 ASSEMBLE THE FRAME



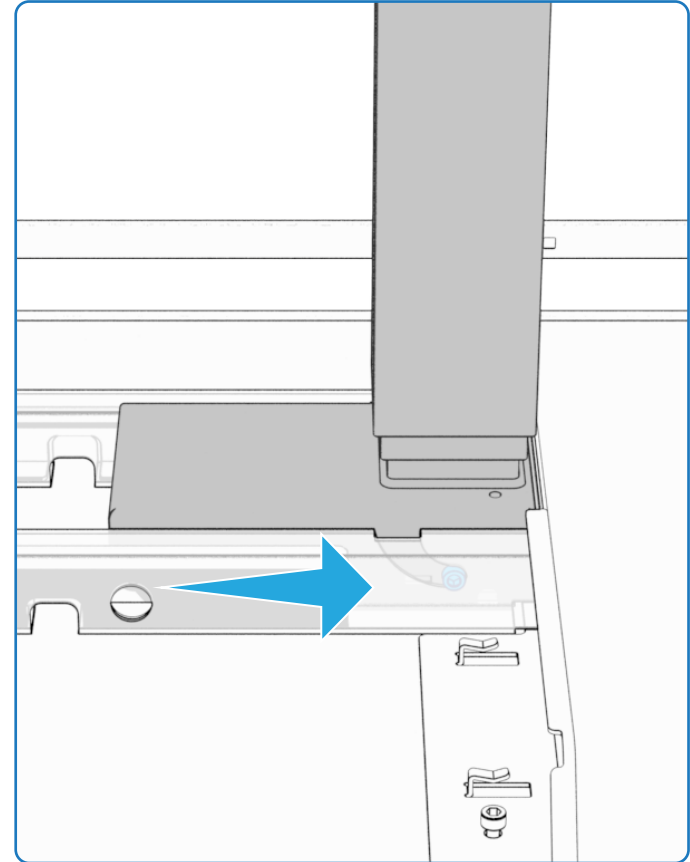
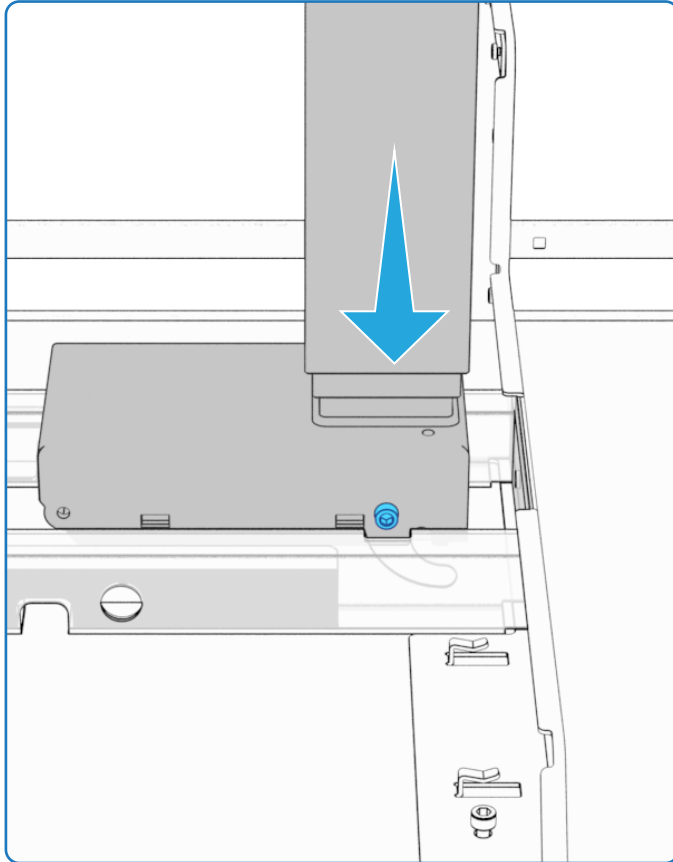
4



5.1 ASSEMBLE THE FRAME



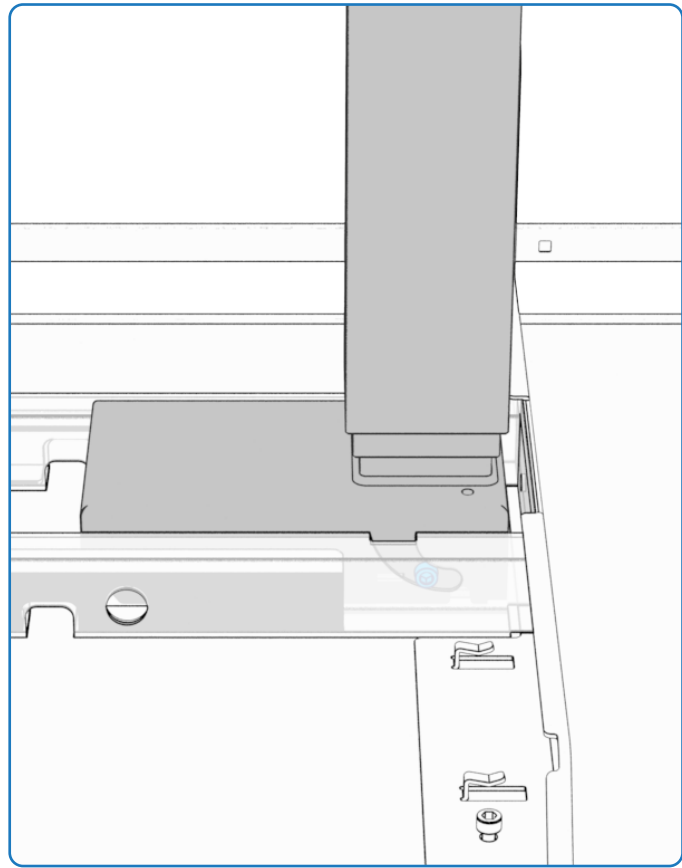
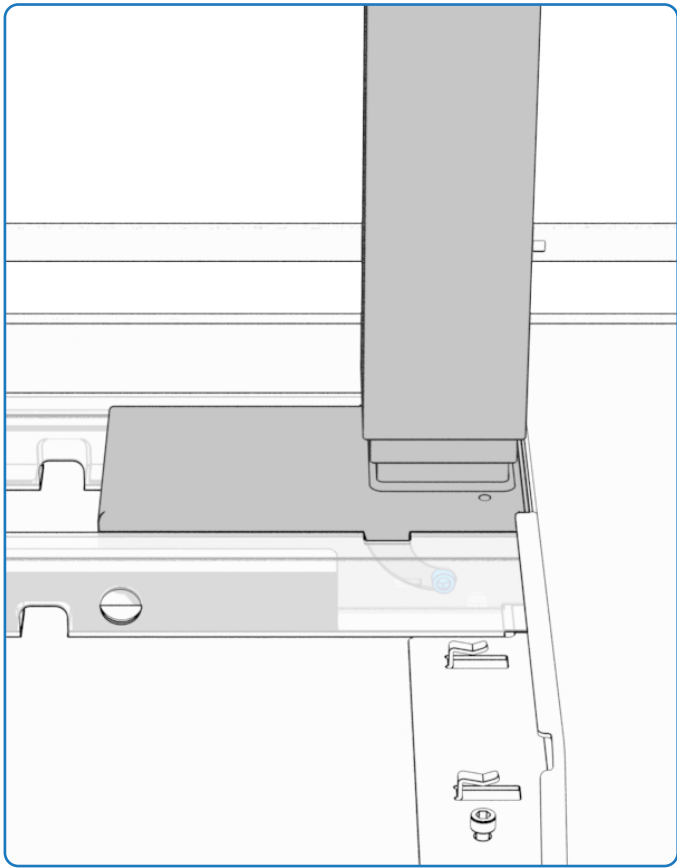
4



5.1 ASSEMBLE THE FRAME



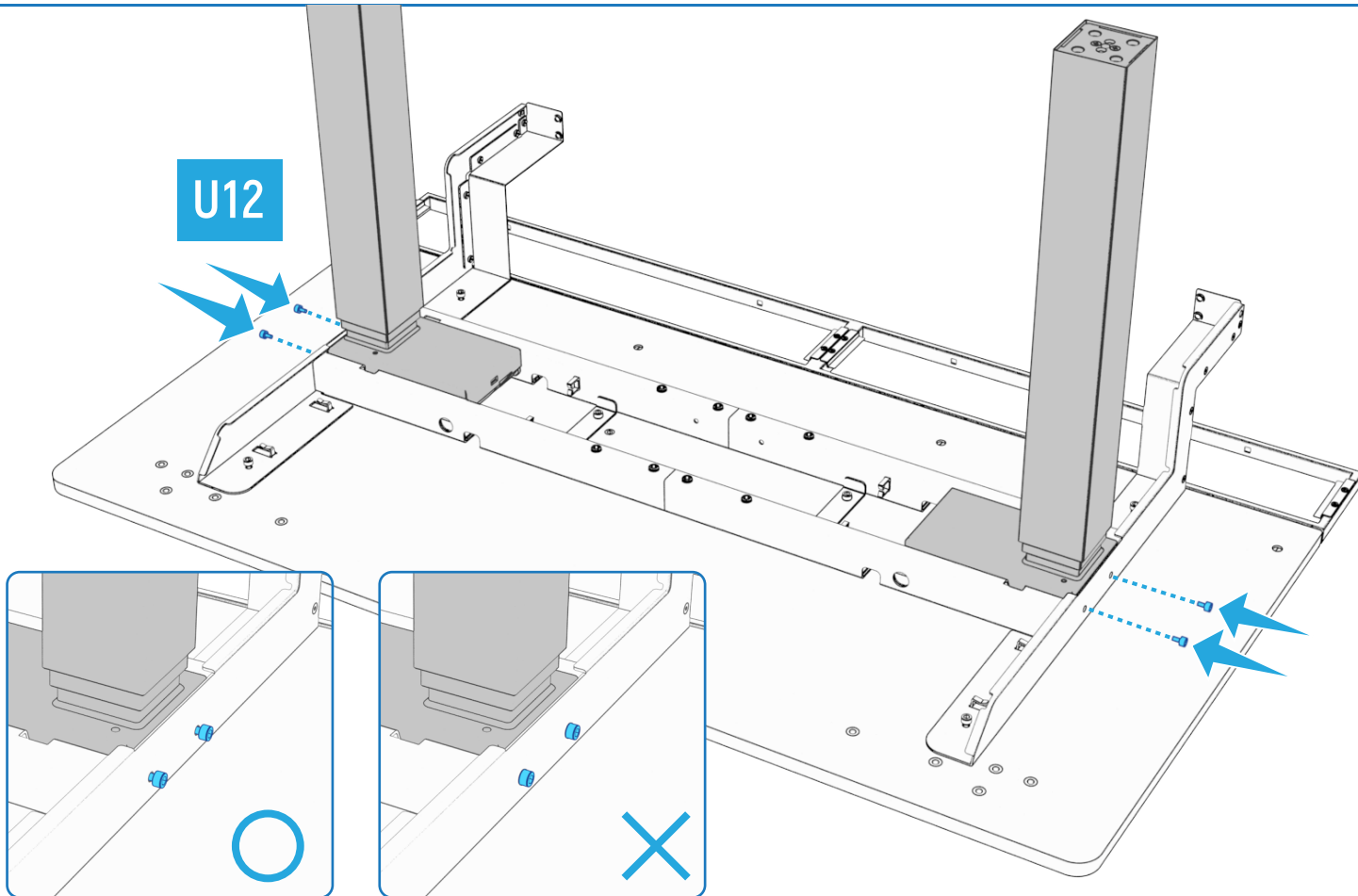
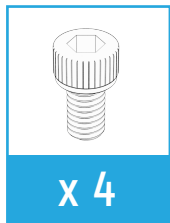
4



5.1 ASSEMBLE THE FRAME



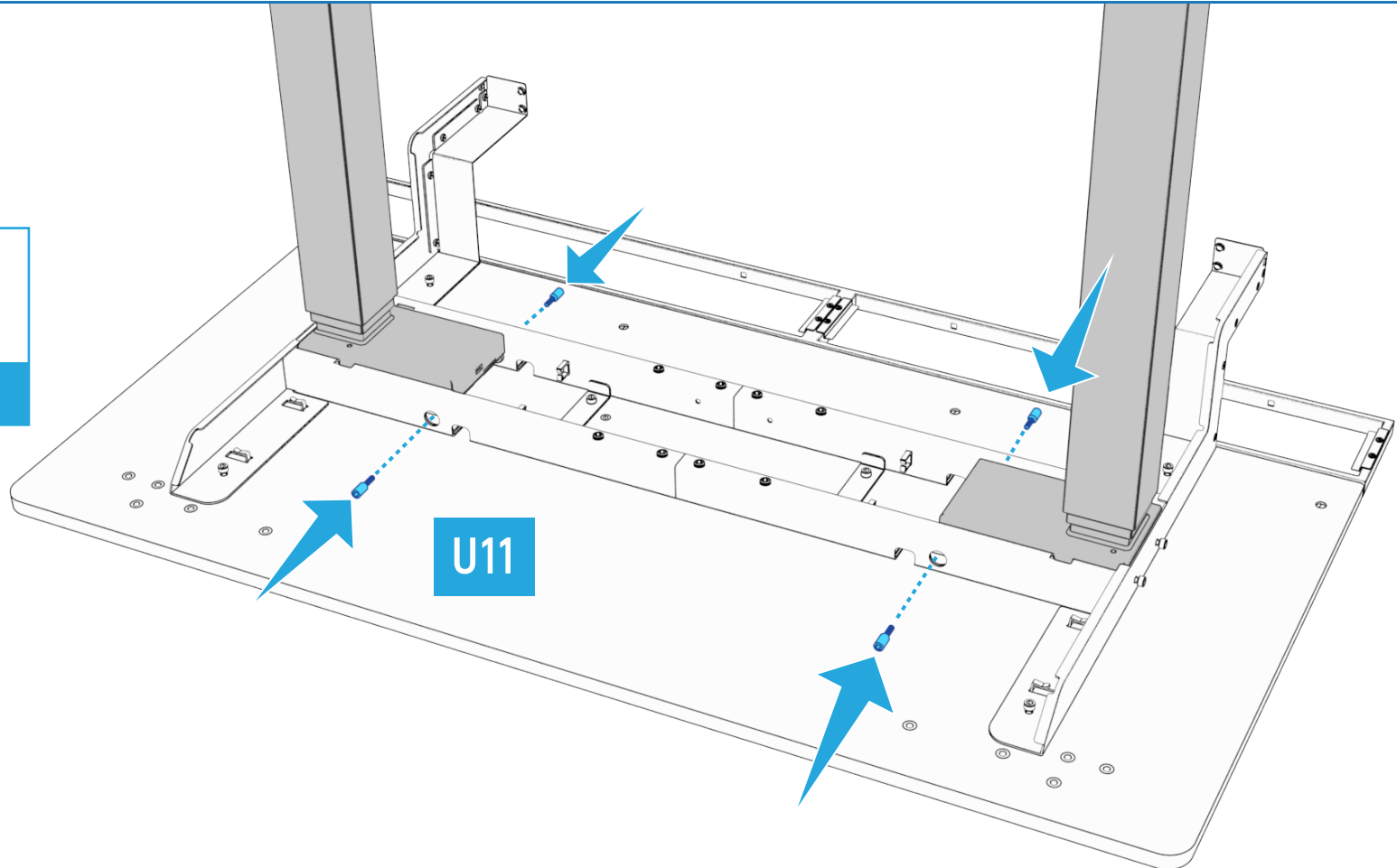
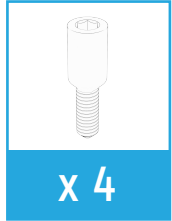
5



5.1 ASSEMBLE THE FRAME



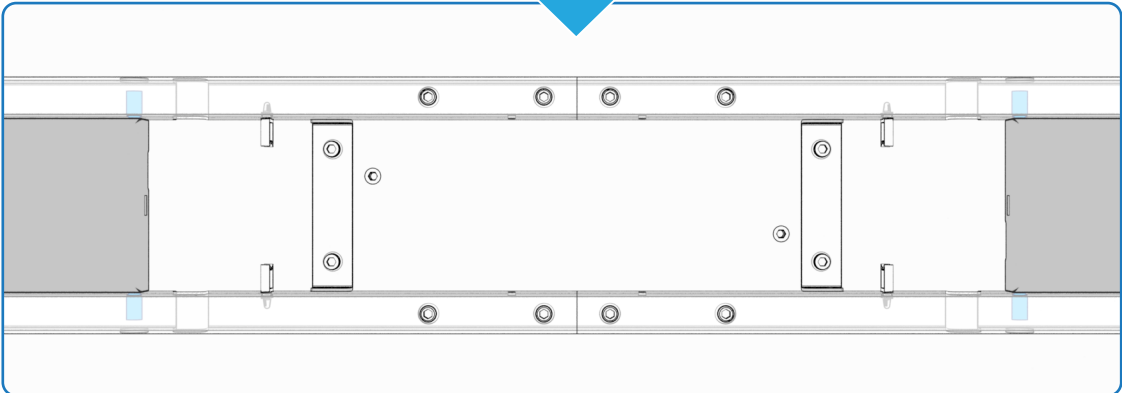
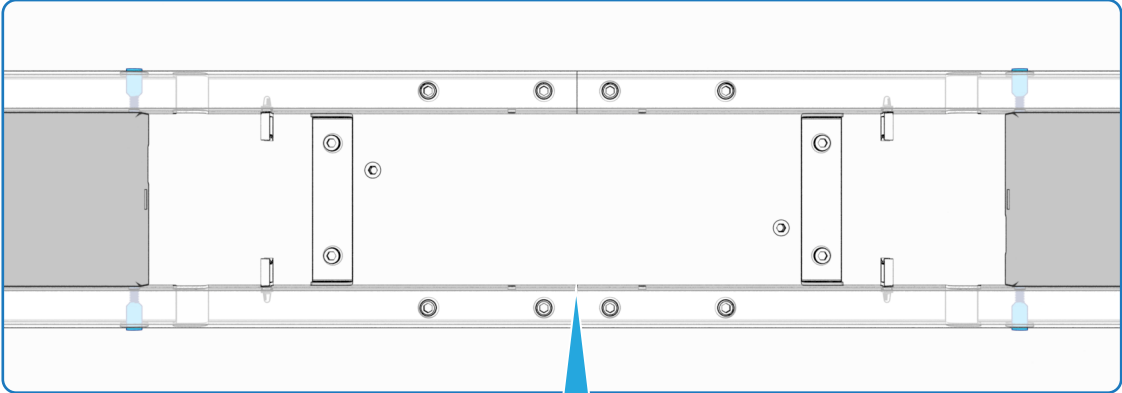
6



5.1 ASSEMBLE THE FRAME



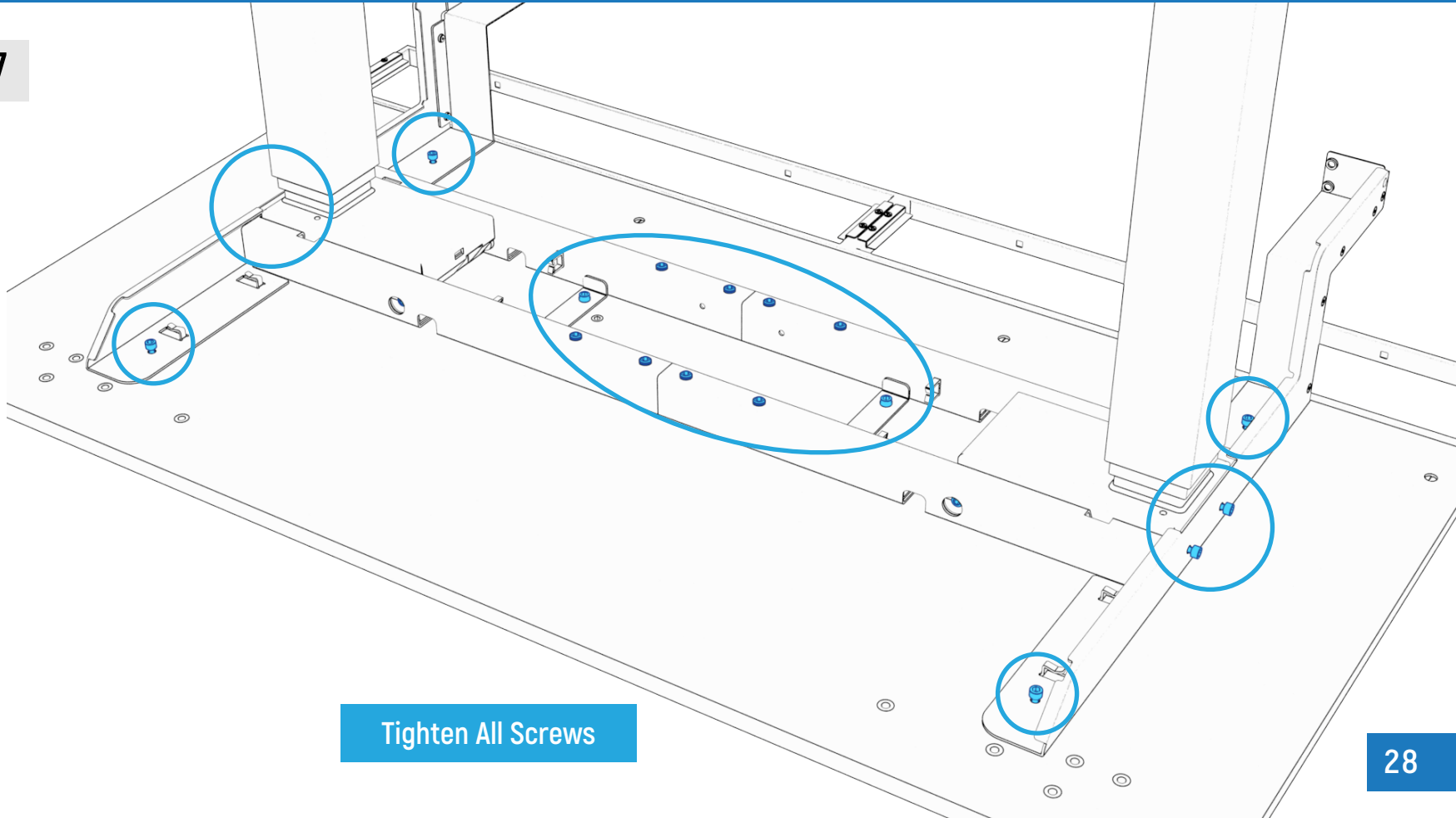
6



5.1 ASSEMBLE THE FRAME



7

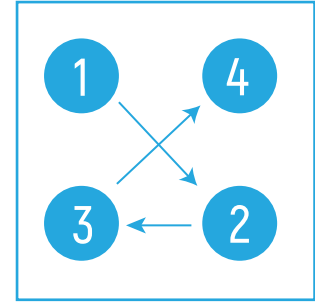
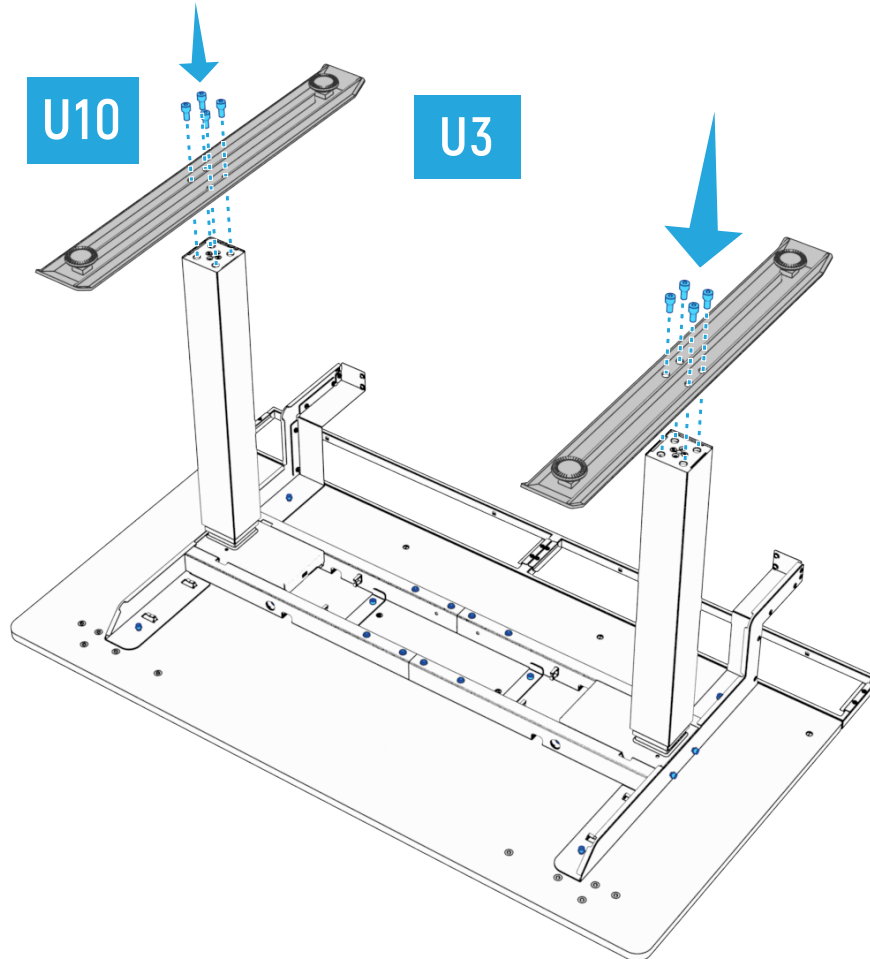
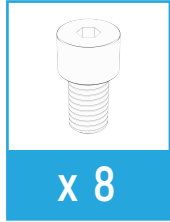


Tighten All Screws

5.1 ASSEMBLE THE FRAME



8



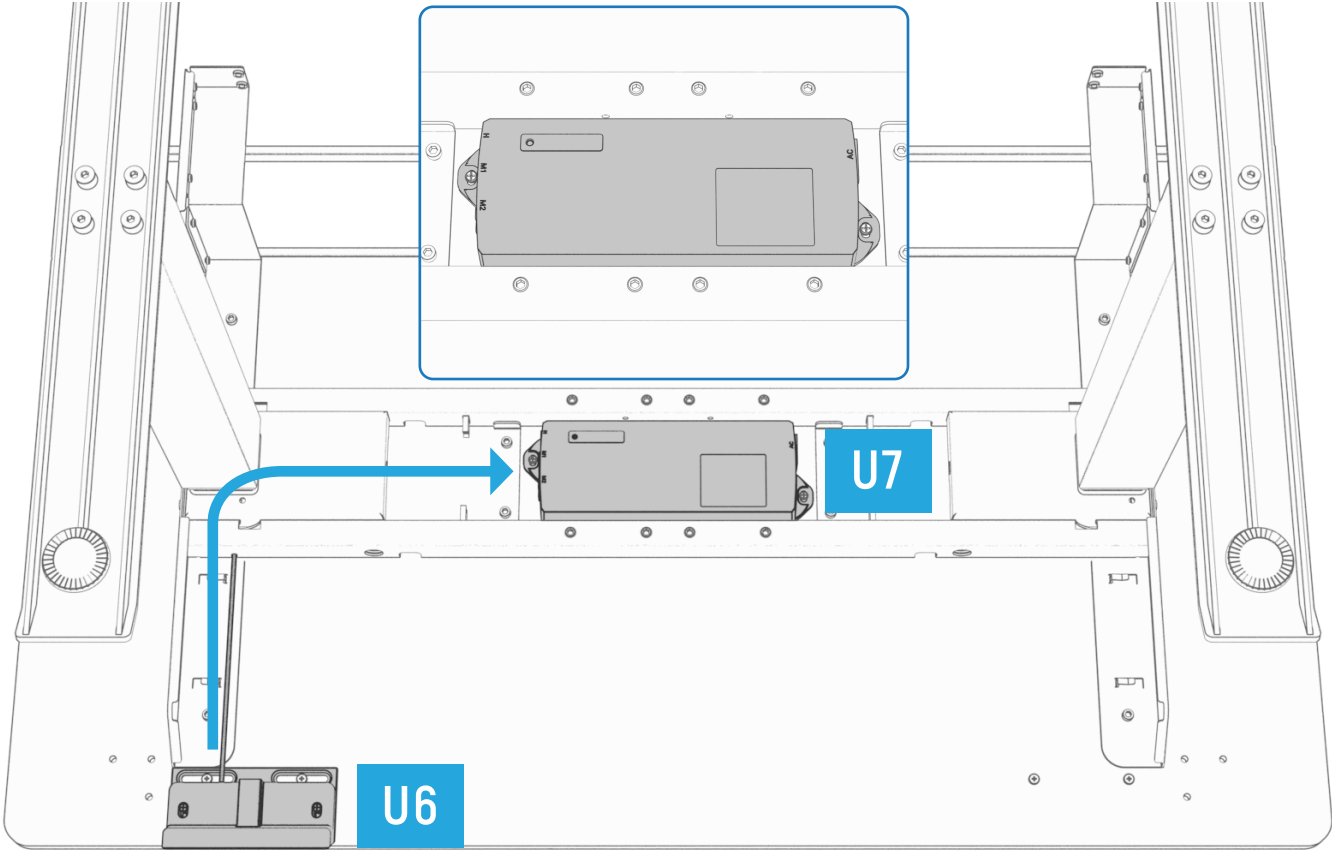


5.2 INSTALL THE CONTROL BOX

5.2 INSTALL THE CONTROL BOX



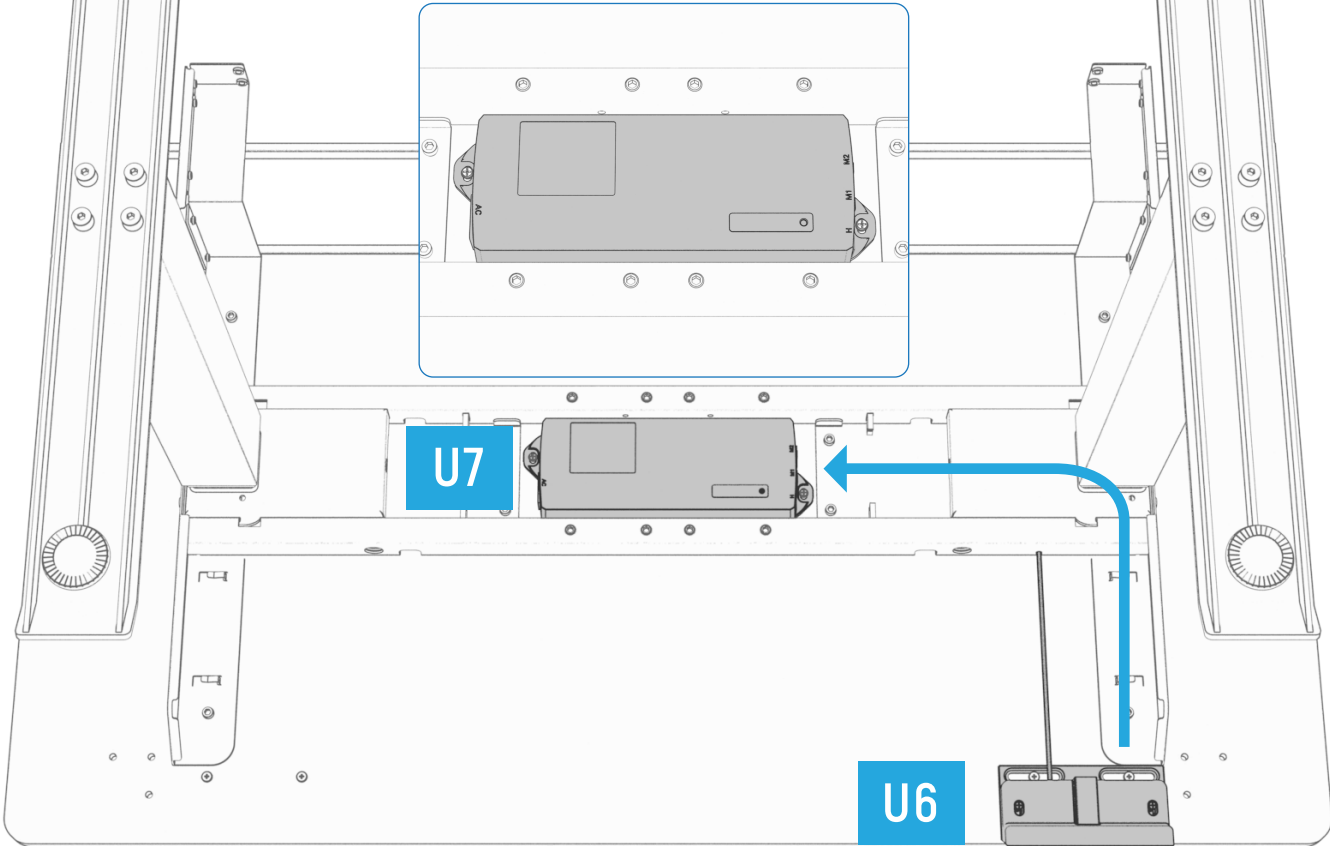
1



5.2 INSTALL THE CONTROL BOX



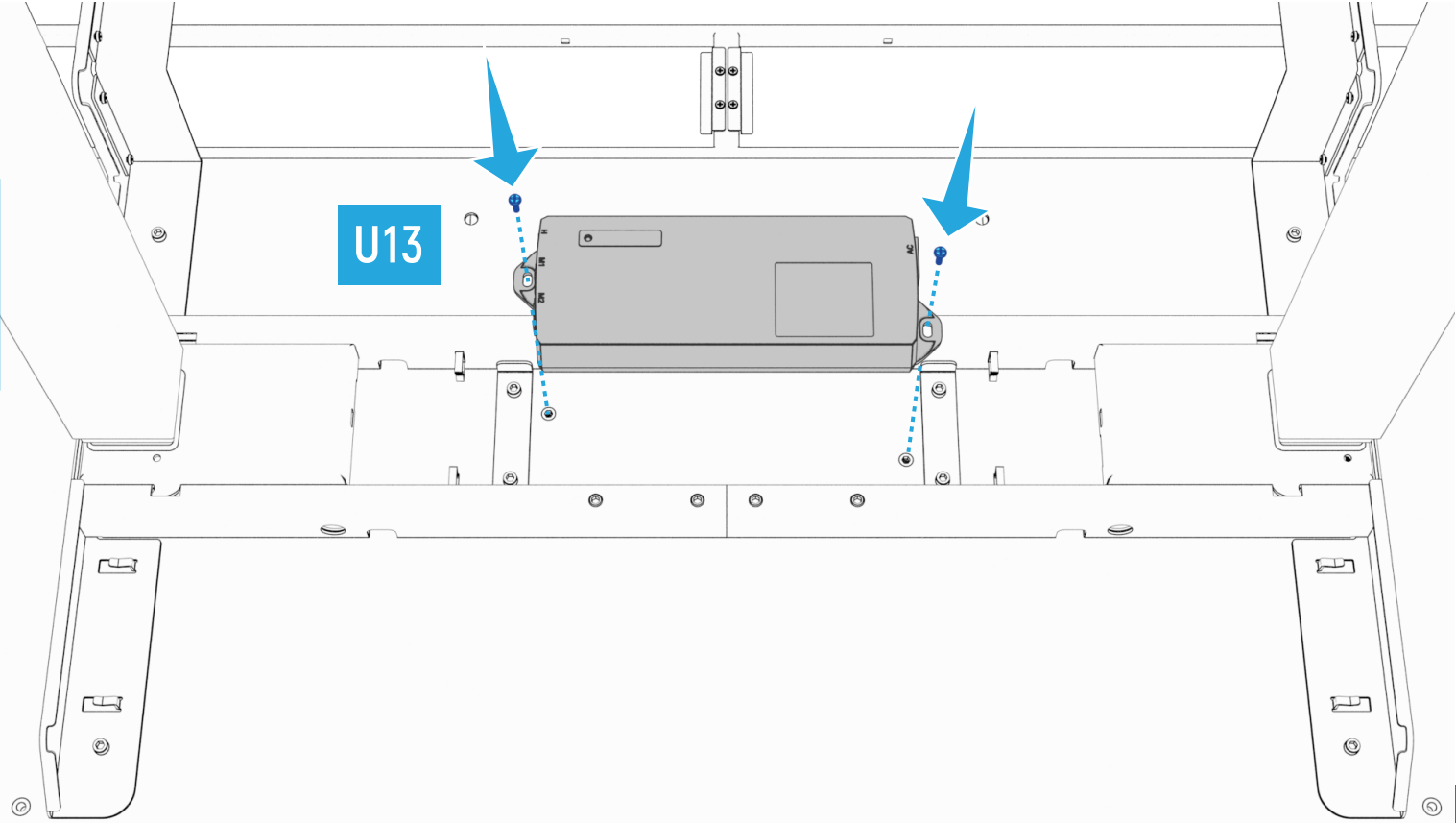
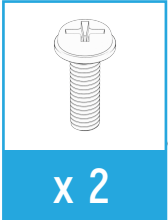
1



5.2 INSTALL THE CONTROL BOX



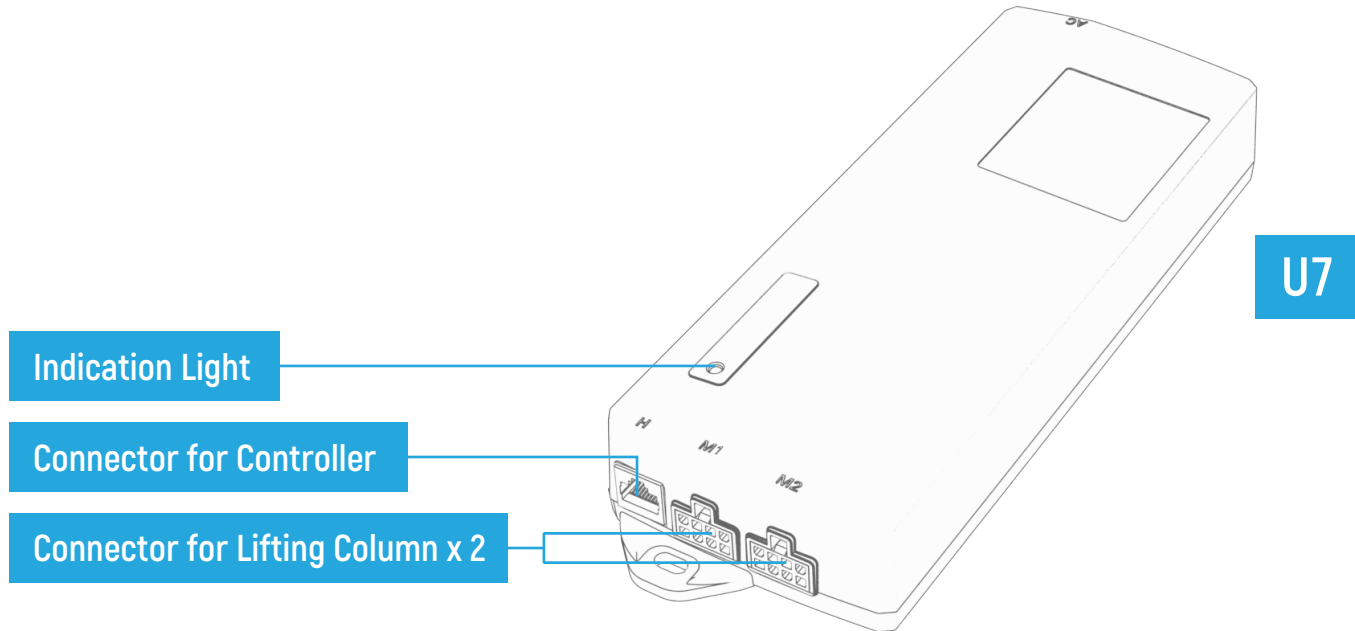
2



5.2 INSTALL THE CONTROL BOX



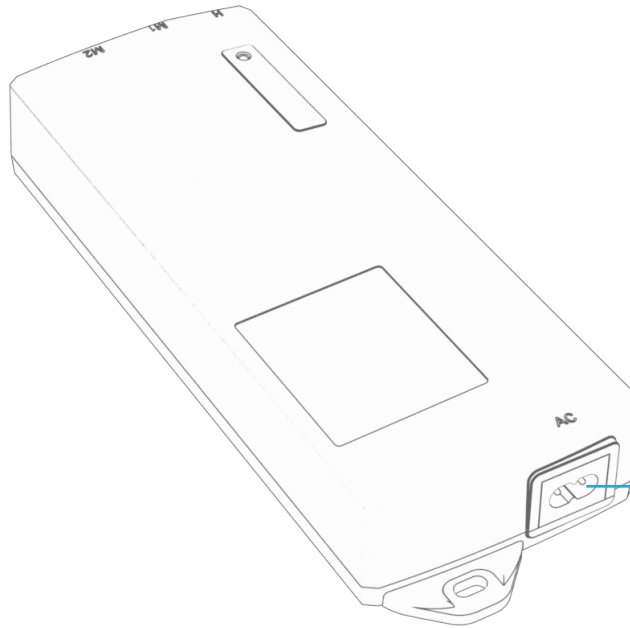
3



5.2 INSTALL THE CONTROL BOX



3

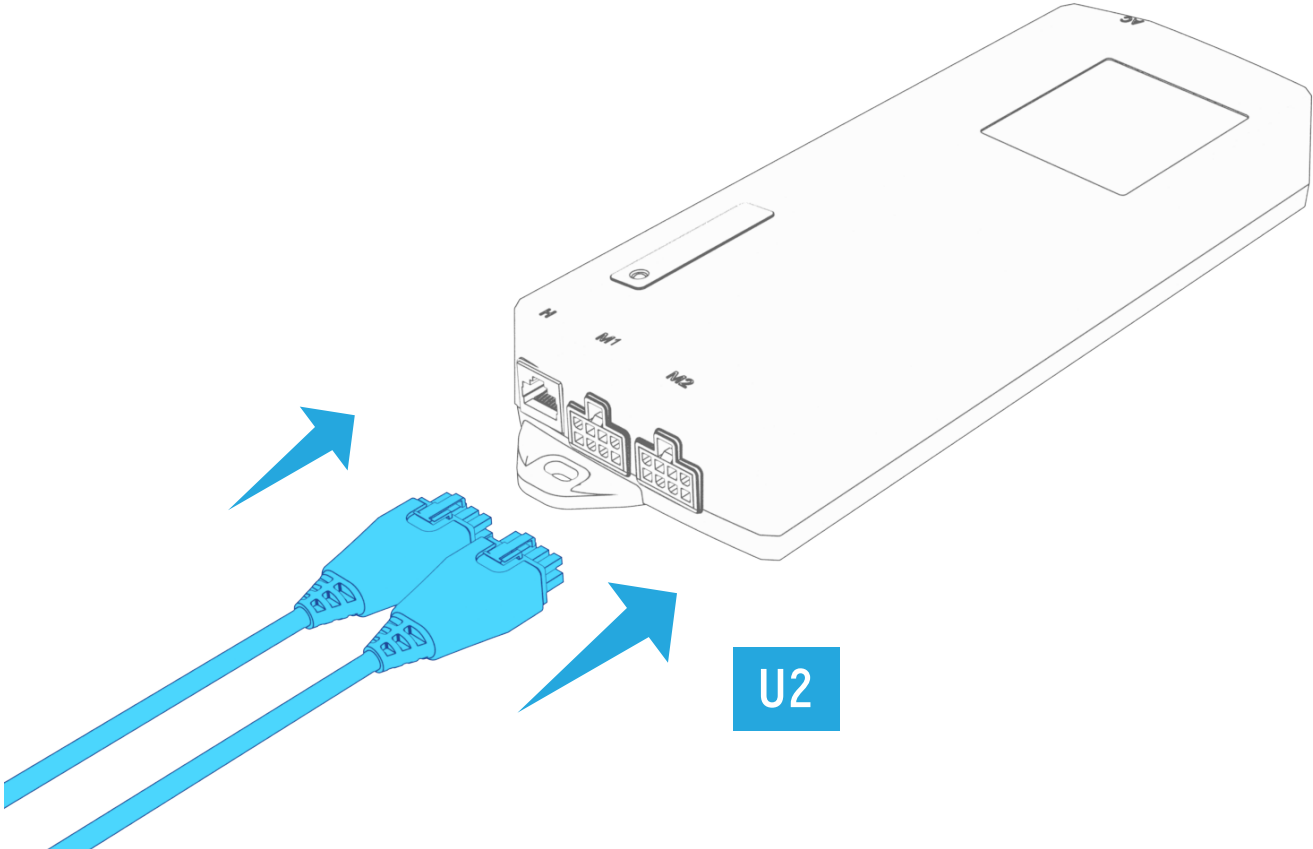


Connector for Power Cord

5.2 INSTALL THE CONTROL BOX



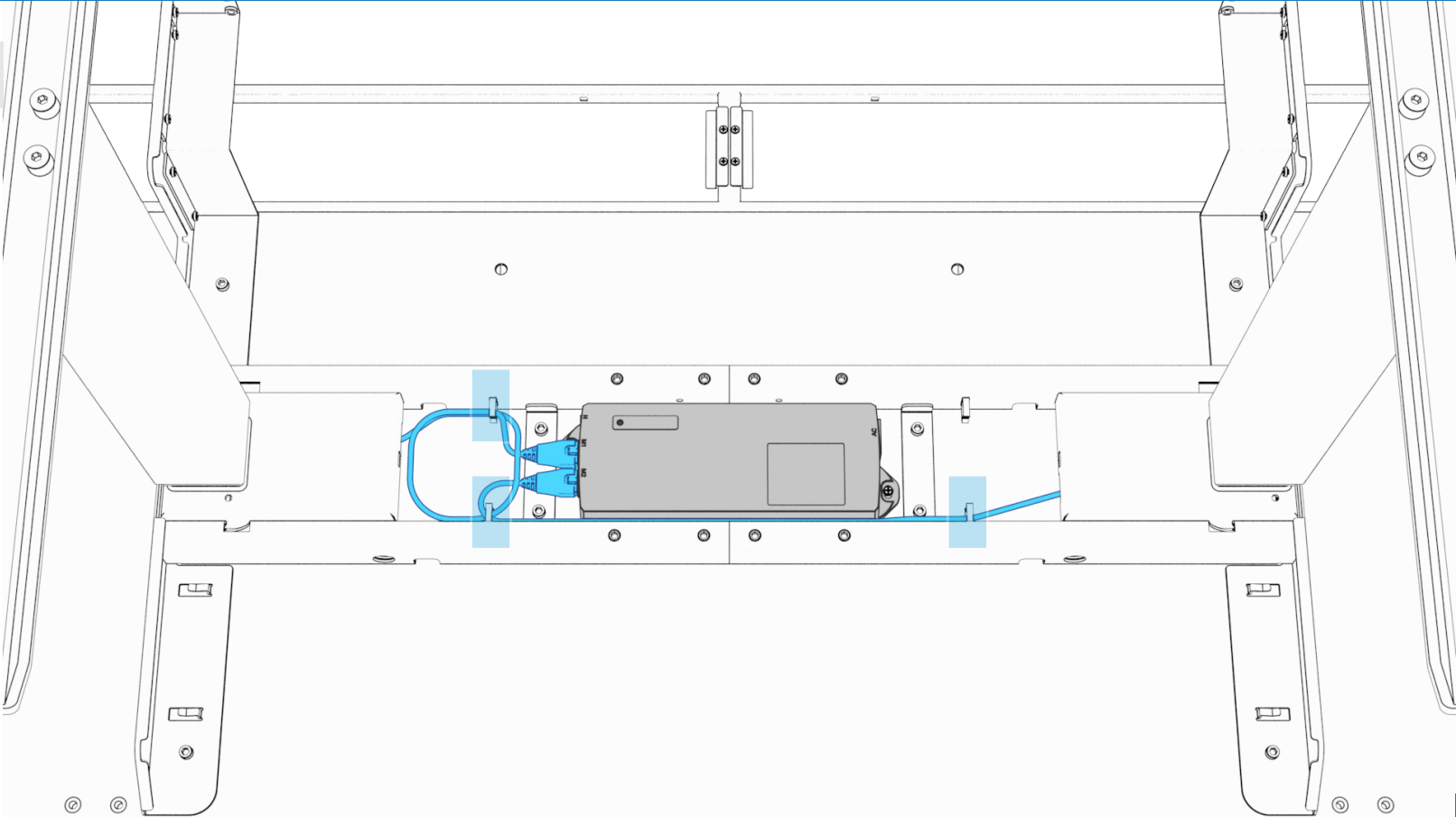
4



5.2 INSTALL THE CONTROL BOX



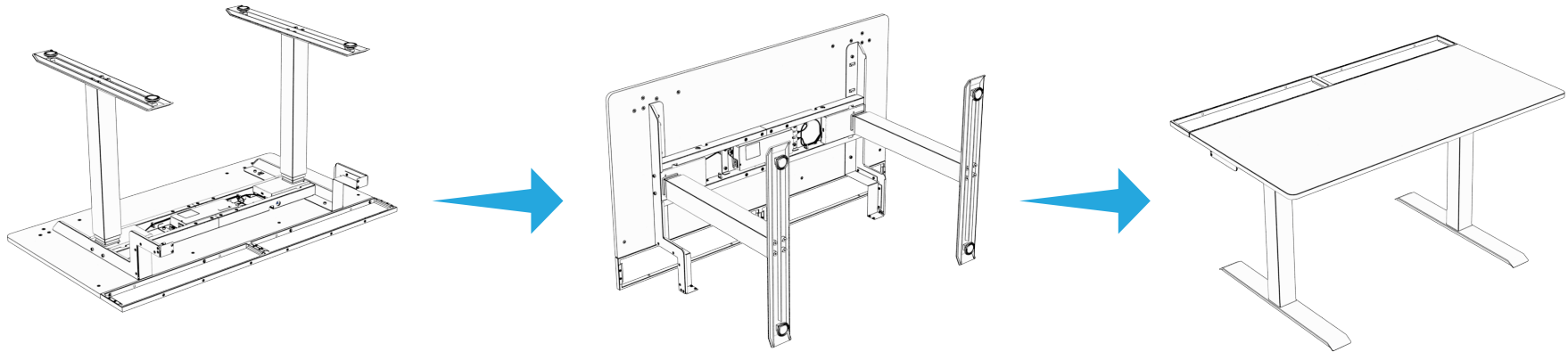
5



5.2 INSTALL THE CONTROL BOX



6



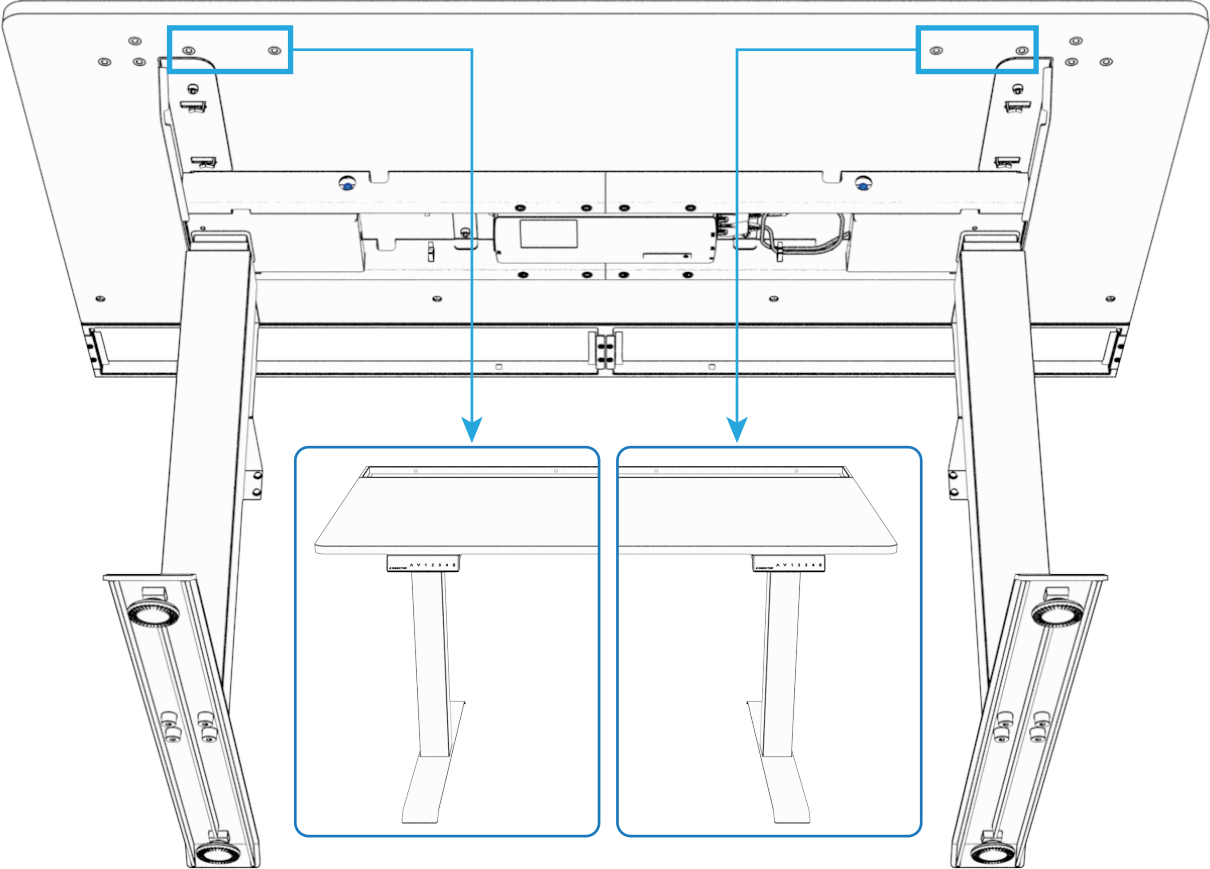


5.3 INSTALL THE CONTROLLER

5.3 INSTALL THE CONTROLLER



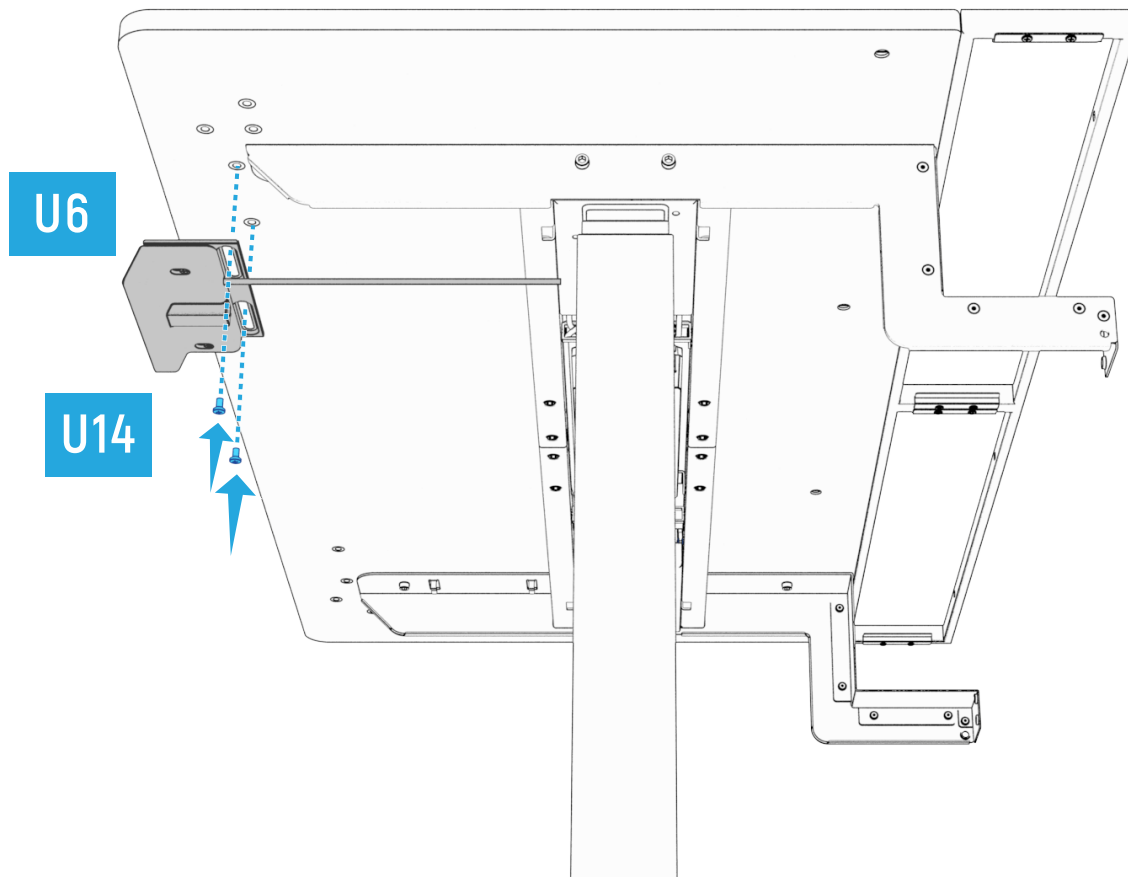
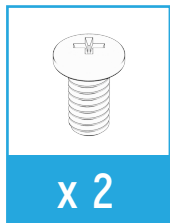
1



5.3 INSTALL THE CONTROLLER



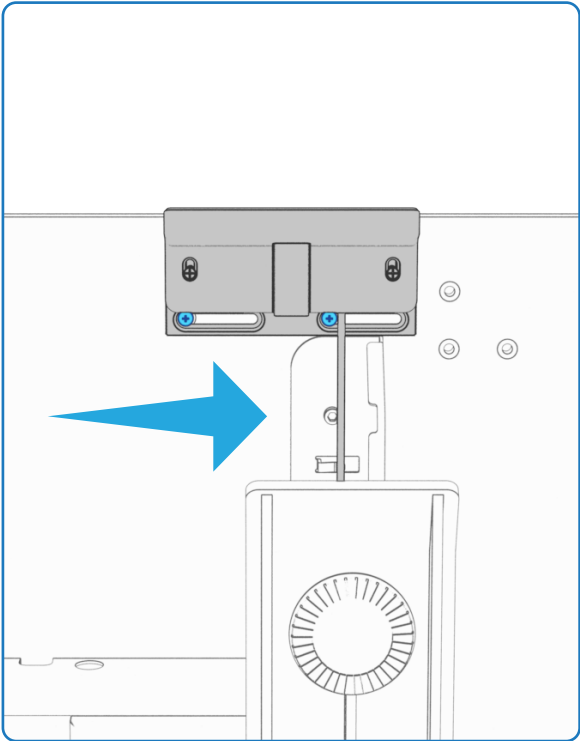
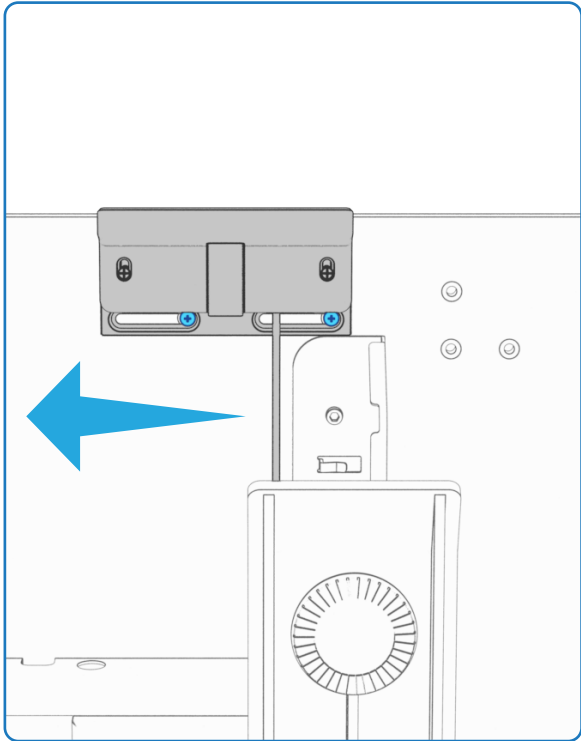
2



5.3 INSTALL THE CONTROLLER



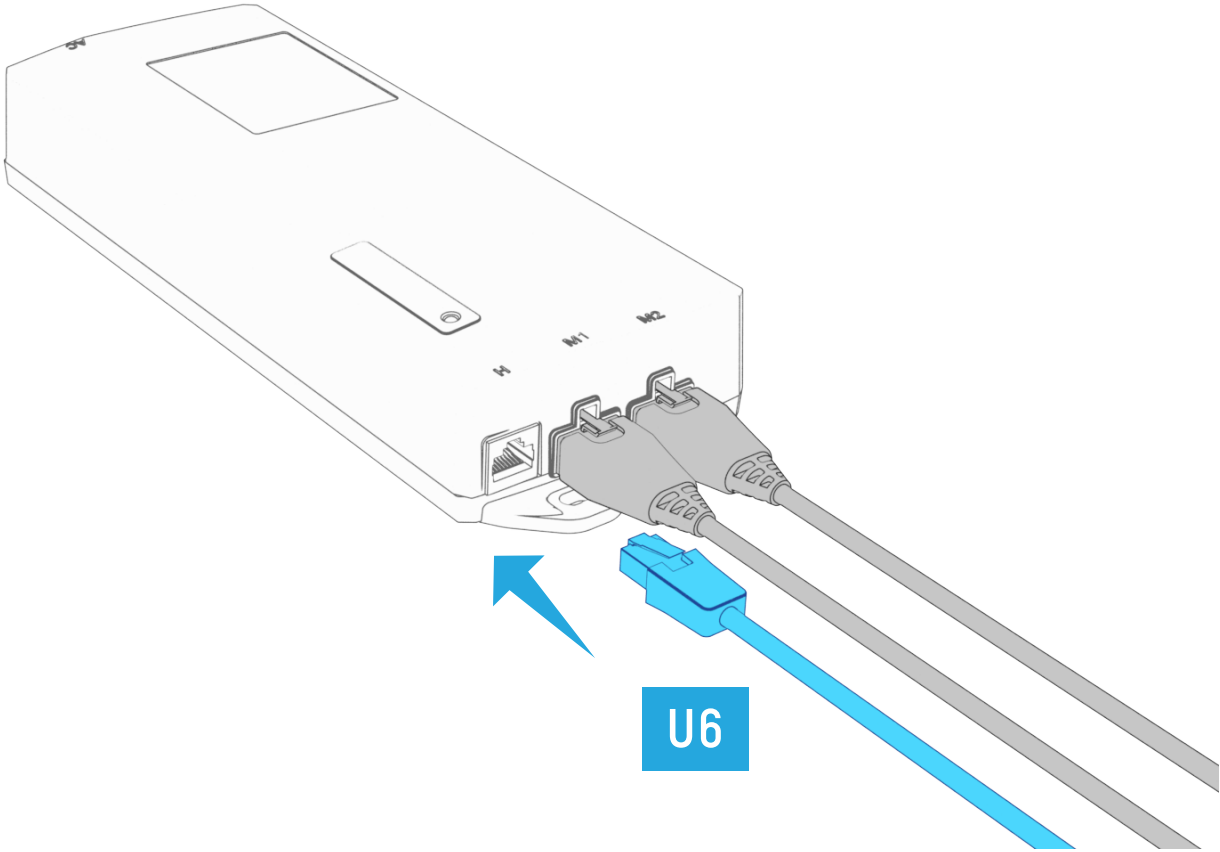
3



5.3 INSTALL THE CONTROLLER



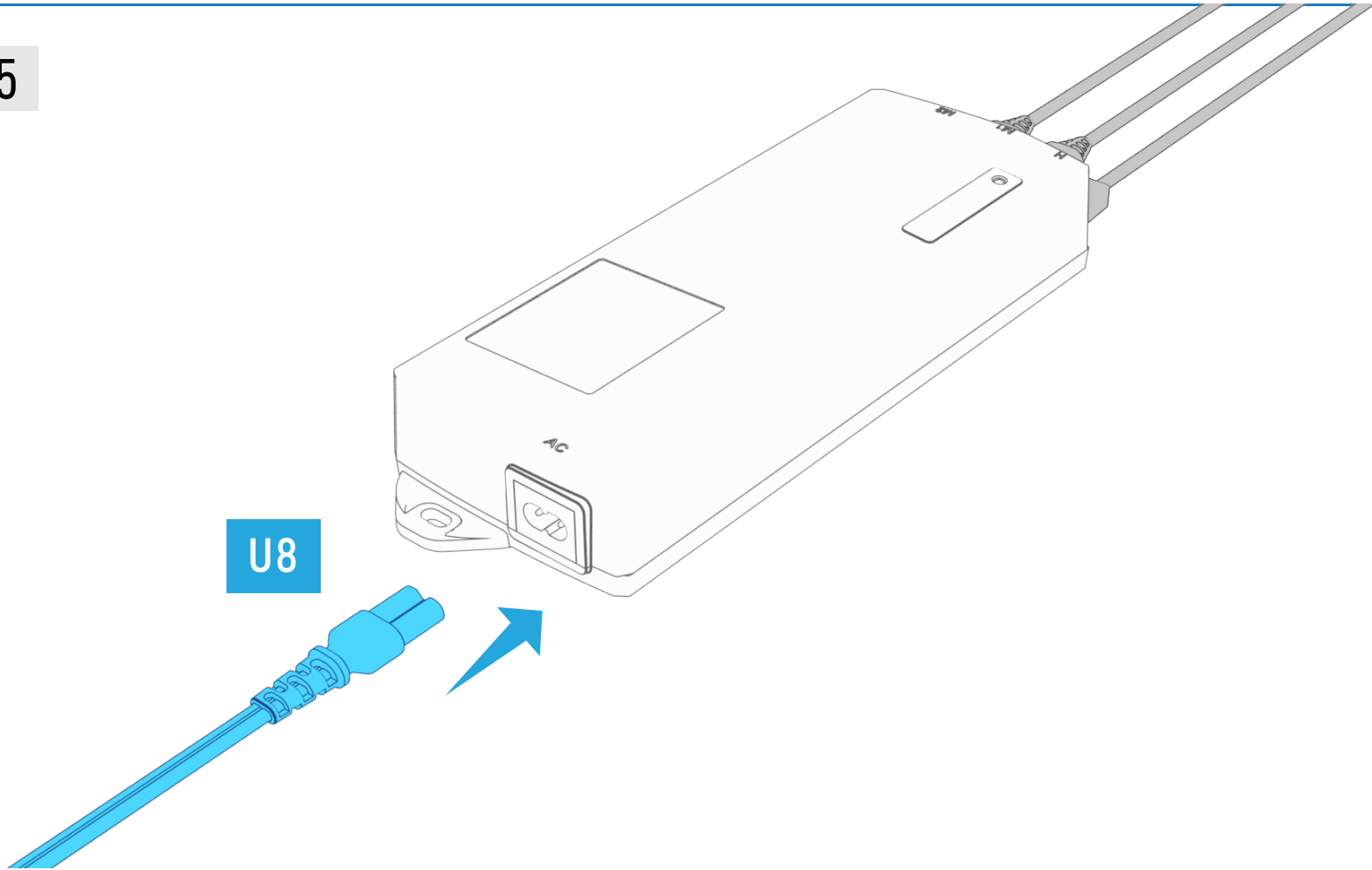
4



5.3 INSTALL THE CONTROLLER



5

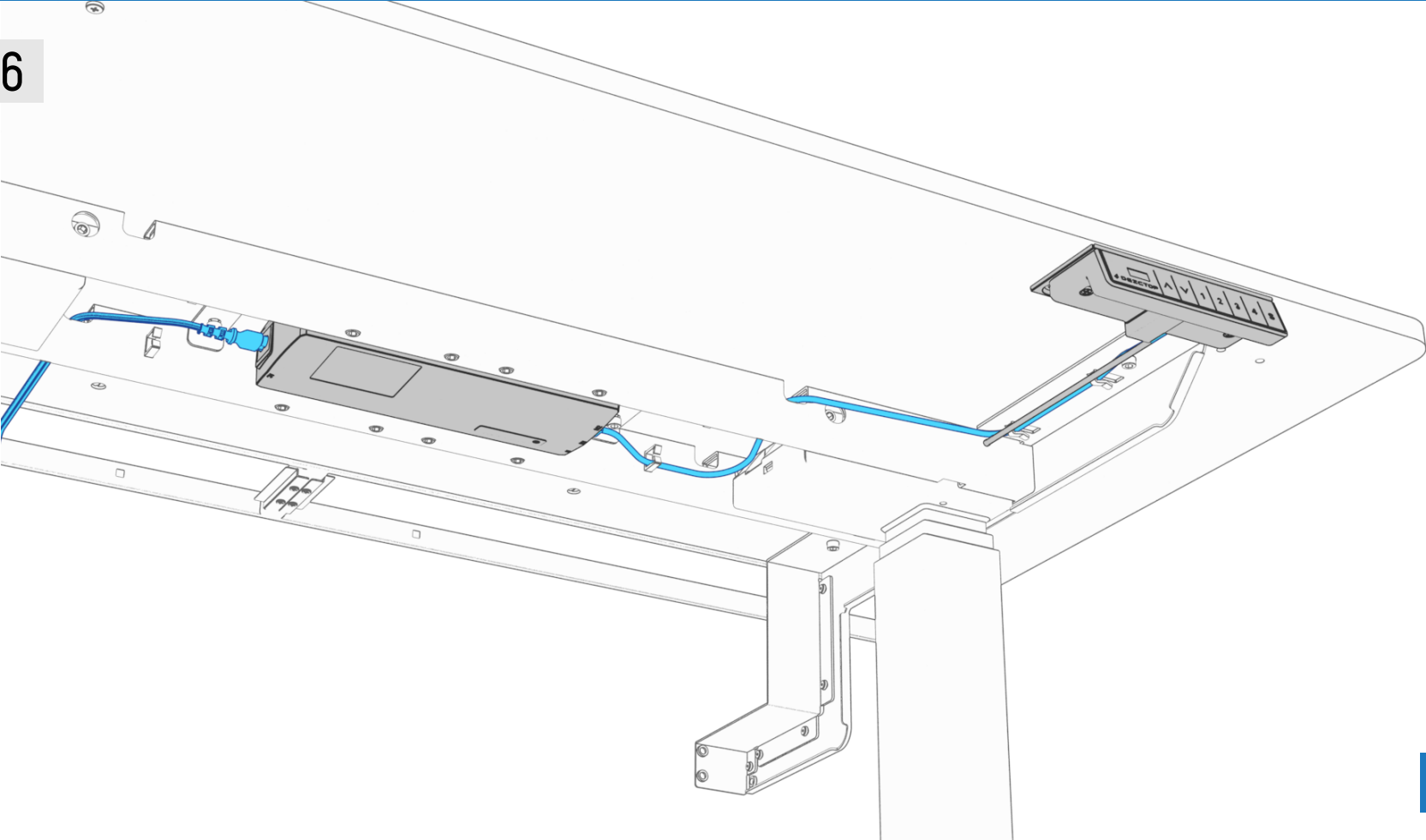


U8

5.3 INSTALL THE CONTROLLER



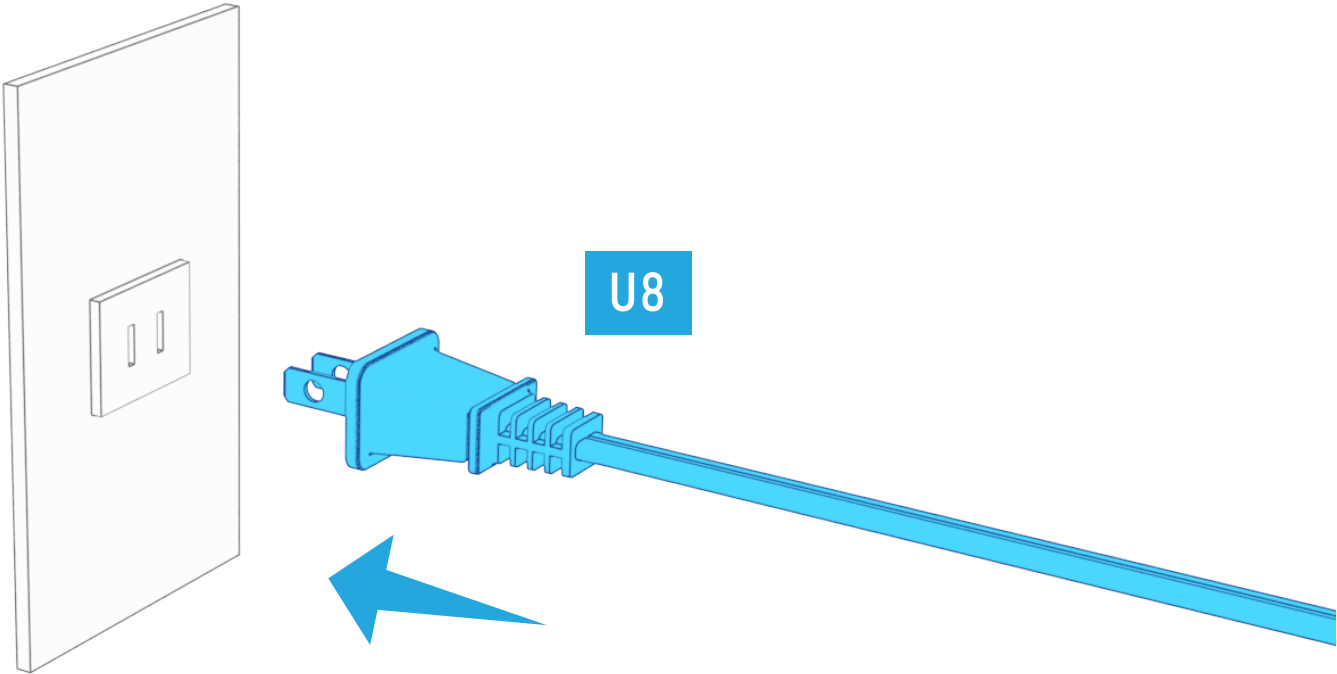
6



5.3 INSTALL THE CONTROLLER



7



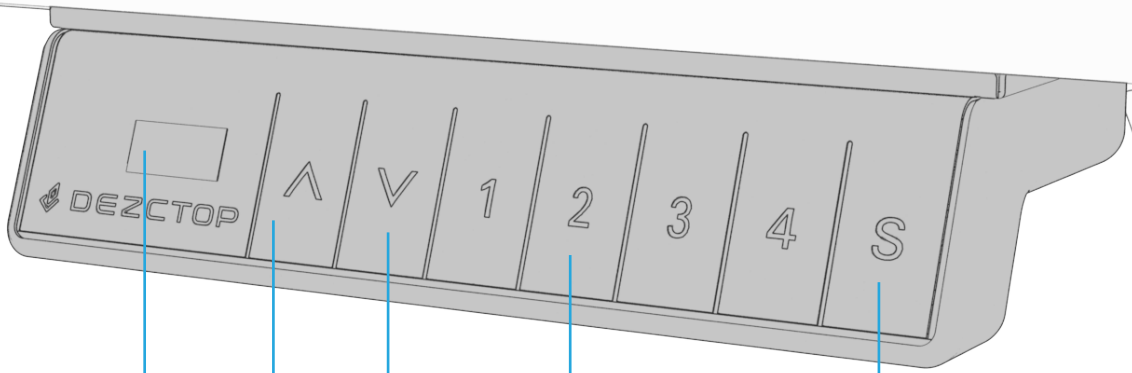


5.4 OPERATION OF THE CONTROLLER

5.4 OPERATION OF THE CONTROLLER



1



Display

UP





Down

Memory



Set

2

I. Enable For The First Time Use or Rest






- Press and hold the **UP**  and **DOWN**  buttons simultaneously.
- The tabletop will move down, and the DISPLAY will start to flash "000".
- Release the **UP**  and **DOWN**  buttons as controller beeps once. And the DISPLAY will show the lowest height.

II. Set The Memory Heights

- Press the **UP**  or **DOWN**  button to move the tabletop to the desired height.
- Press and hold the SET button for 2 seconds and the DISPLAY will start flashing for 5 seconds.
- There are 4 memory heights can be stored. Press button 1, 2, 3 or 4 to assign this memory position to the respective button, and the DISPLAY will show P1, P2, P3 or P4. This height is stored.

III. SET / CANCEL The Limit of Height

SET The Lowest Height :






- Adjust the tabletop to the height which you desire. If you are using the desk with D-Board, please beware the overall height.
- Press and hold the **UP**  and **DOWN**  buttons simultaneously for 2 seconds.
- Hold the **DOWN**  button and release the **UP**  button. And then press **UP**  button 4 times.
- The limit is set while the controller beeps.

5.4 OPERATION OF THE CONTROLLER








2






SET The Highest Height :

- Adjust the tabletop to the height which you desire. If you are using the desk with D-Board, please beware the overall height.
- Press and hold the **UP**  and **DOWN**  buttons simultaneously for 2 seconds.
- Hold the **UP**  button and release the **DOWN**  button. And then press **DOWN**  button 4 times.
- The limit is set while the controller beeps.

CANCEL The Lowest Height :

- Adjust the tabletop to the lowest height (The height has been set).
- Press and hold the **UP**  and **DOWN**  buttons simultaneously for 2 seconds.
- Hold the **DOWN**  button and release the **UP**  button. And then press **UP**  button 4 times.
- The limit is canceled while the controller beeps.
- The limit of the lowest height is restored to the default 65cm.



CANCEL The Highest Height :

- Adjust the tabletop to the lowest height (The height has been set).
- Press and hold the **UP**  and **DOWN**  buttons simultaneously for 2 seconds.
- Hold the **UP**  button and release the **DOWN**  button. And then press **DOWN**  button 4 times.
- The limit is canceled while the controller beeps.
- The limit of the highest height is restored to the default 130cm.



IV. Set The Starting Height in Specific Cases

The display height on control is set based on the standard specification of this desk. If you replace the tabletop with a different thickness 'one or add castors onto the feet, there will be difference between the level of the tabletop and the display height, You can correct the height display by this instruction.

Set The Highest Height :

- Press and hold the **UP**  button for 5 seconds and then release.
- The DISPLAY will start flashing and then press the **UP**  button to adjust the height which you desire.
If you are using the desk with D-Board, please beware the overall height.
- After 10 seconds, the DISPLAY will stop flashing and the new highest height will be stored.

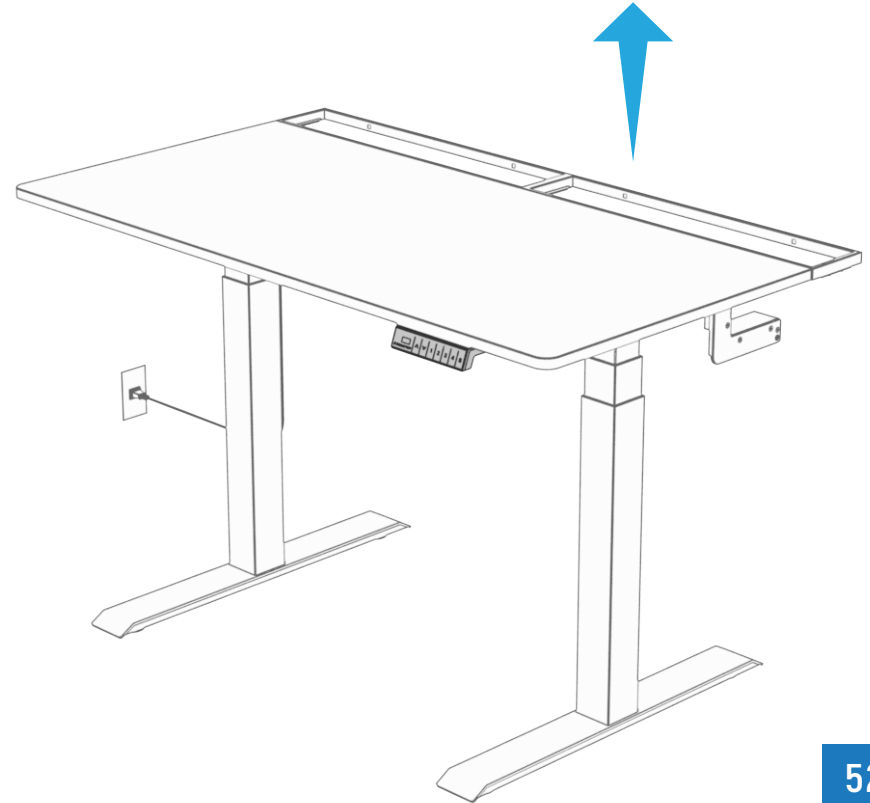
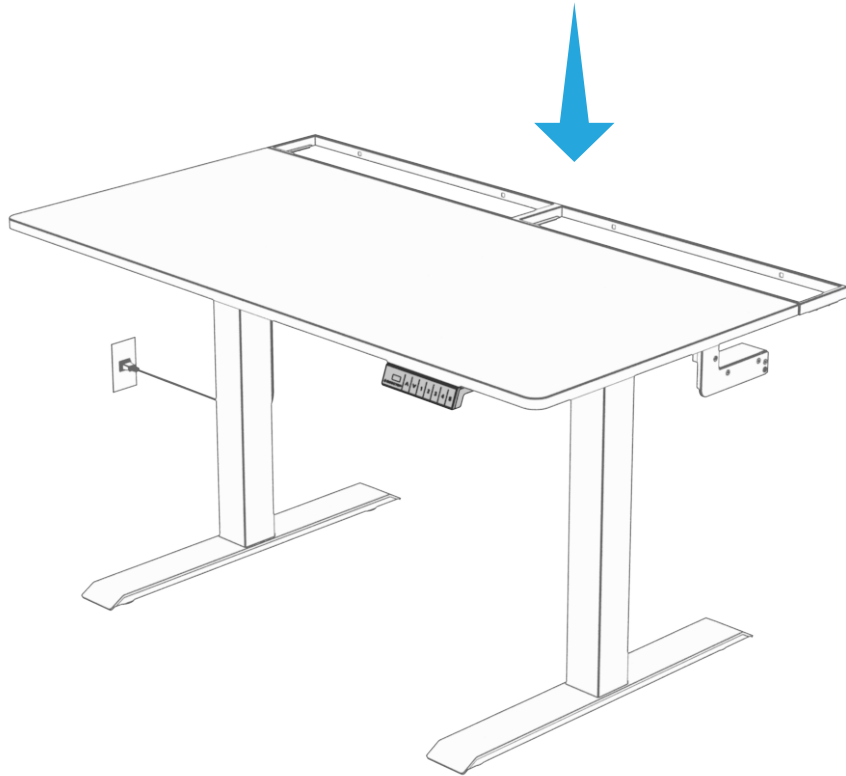
Set The Lowest Height :

- Press and hold the **DOWN**  button for 5 seconds and then release.
- The DISPLAY will start flashing and then press the **DOWN**  button to adjust the height which you desire.
If you are using the desk with D-Board, please beware the overall height.
- After 10 seconds, the DISPLAY will stop flashing and the new lowest height will be stored.

5.4 OPERATION OF THE CONTROLLER



3





5.5 TROUBLESHOOTING

5.5 TROUBLESHOOTING



Error Code	Buzzer Alert	Cause	Solution
E00	None	Incomplete Reset	Please follow the procedure of RESET in operation of controller.
E01	3 Beeps	Frequent Operation in a short time	Please wait for 5 minutes and then continue to operate the controller.
E02	2 Beeps	Unbalance of Tabletop	1. Place the things on the tabletop evenly and run RESET. 2. If you can't complete the RESET or still have beeps after RESET, please contact customer service.
E03	The Tabletop Rebounds 30mm	Anti-Collision Protection	Please remove the obstacle above or under the tabletop.
E04	The Tabletop Rebounds 40mm	Anti-Collision Detected (T-Touch)	Please remove the obstacle above or under the tabletop.
E11	5 Beeps	Overcurrent Protection of the Lifting Column	1. Please remove the overweight things above the tabletop.
E12			2. If you are still unable to operate the desk, please run RESET.
E21	Long Beep	No Signal Response from M1 Connector of Control Box	1. Please run RESET.
E22		No Signal Response from M2 Connector of Control Box	2. If you can't complete the RESET or still have beeps after RESET, please contact customer service.
E31	4 Beeps	Not Detect Current of from M1 Connector of Control Box	1. Make sure all power-connection cables of lifting columns have connected to the control box well.
E32		Not Detect Current of from M2 Connector of Control Box	2. Please run RESET. 3. If you can't complete the RESET or still have beeps after RESET, please contact customer service.

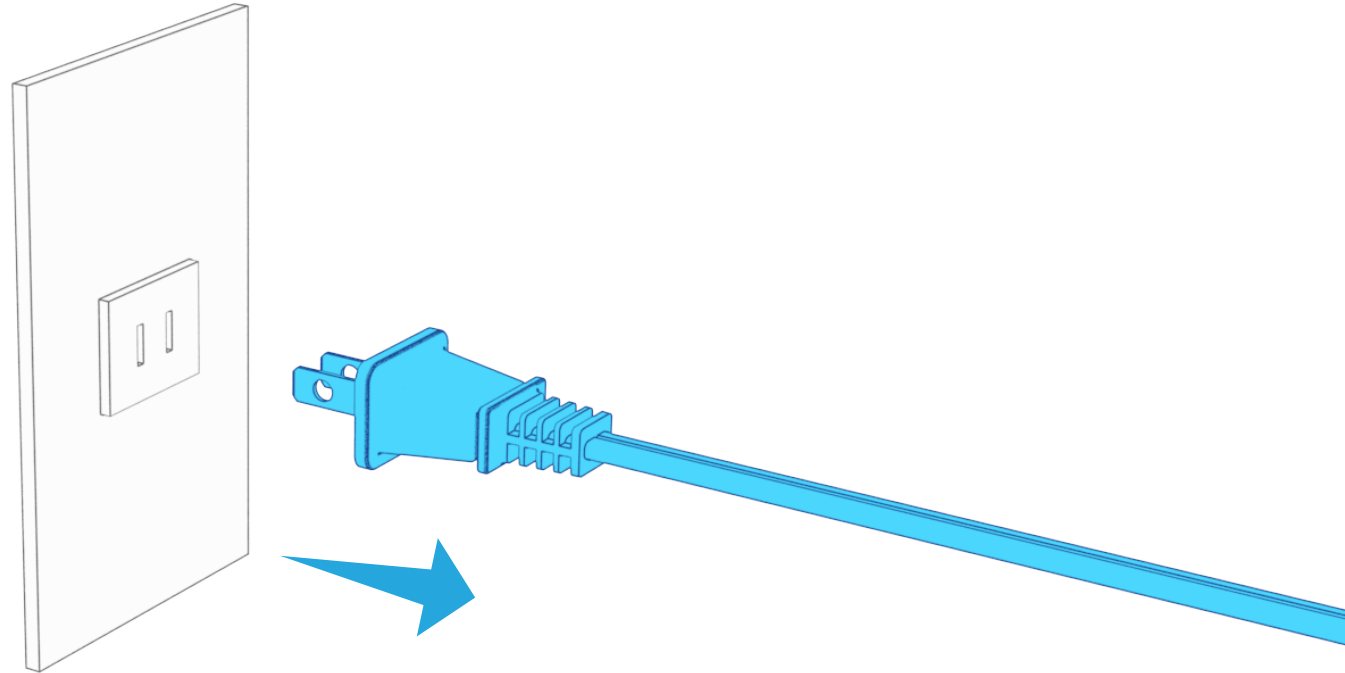


5.6 ASSEMBLE THE SUPPORT PANEL

5.6 ASSEMBLE THE SUPPORT PANEL



1

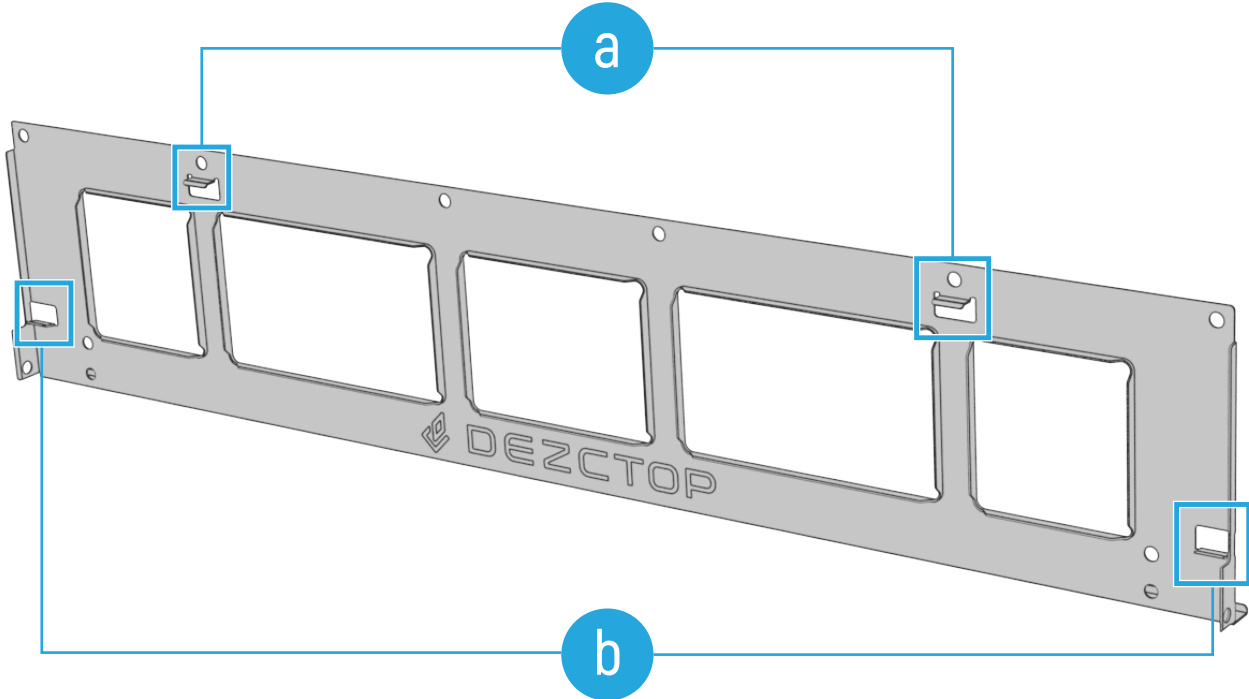


5.6 ASSEMBLE THE SUPPORT PANEL



2

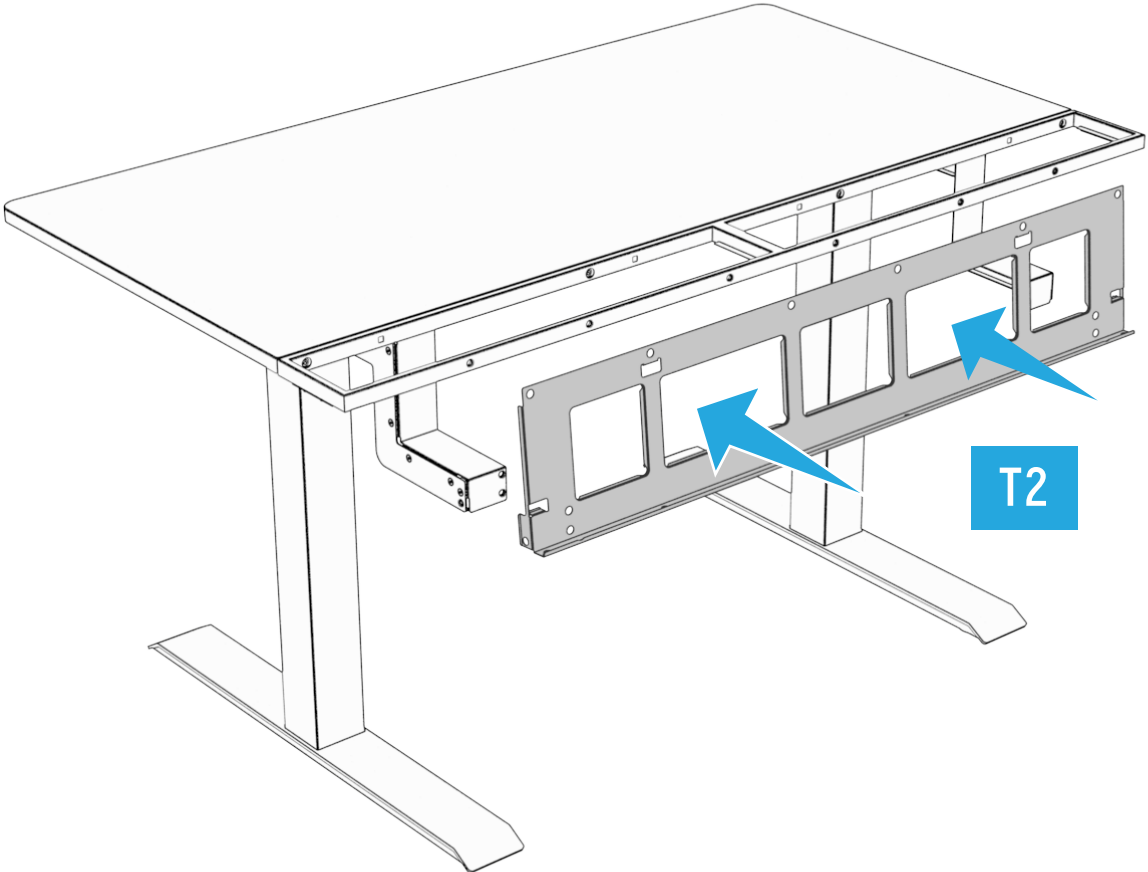
T2



5.6 ASSEMBLE THE SUPPORT PANEL



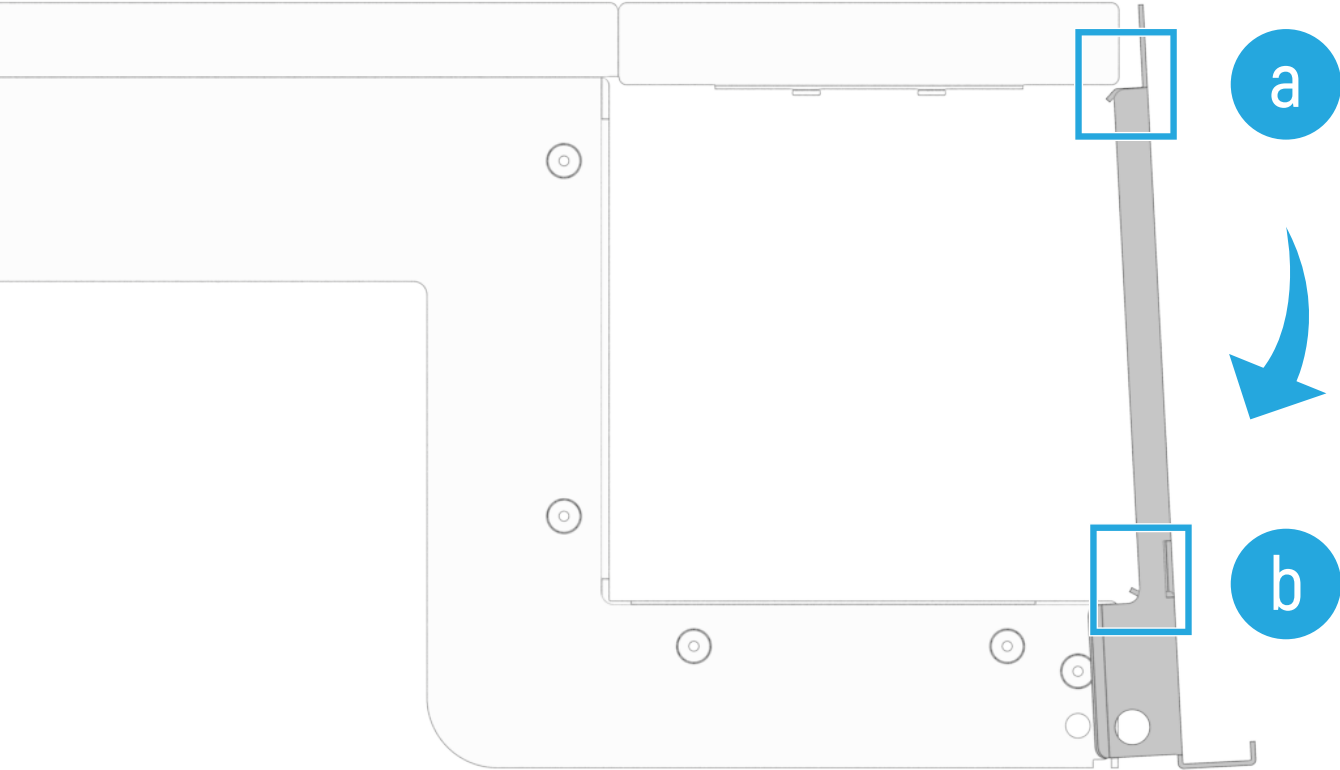
3



5.6 ASSEMBLE THE SUPPORT PANEL



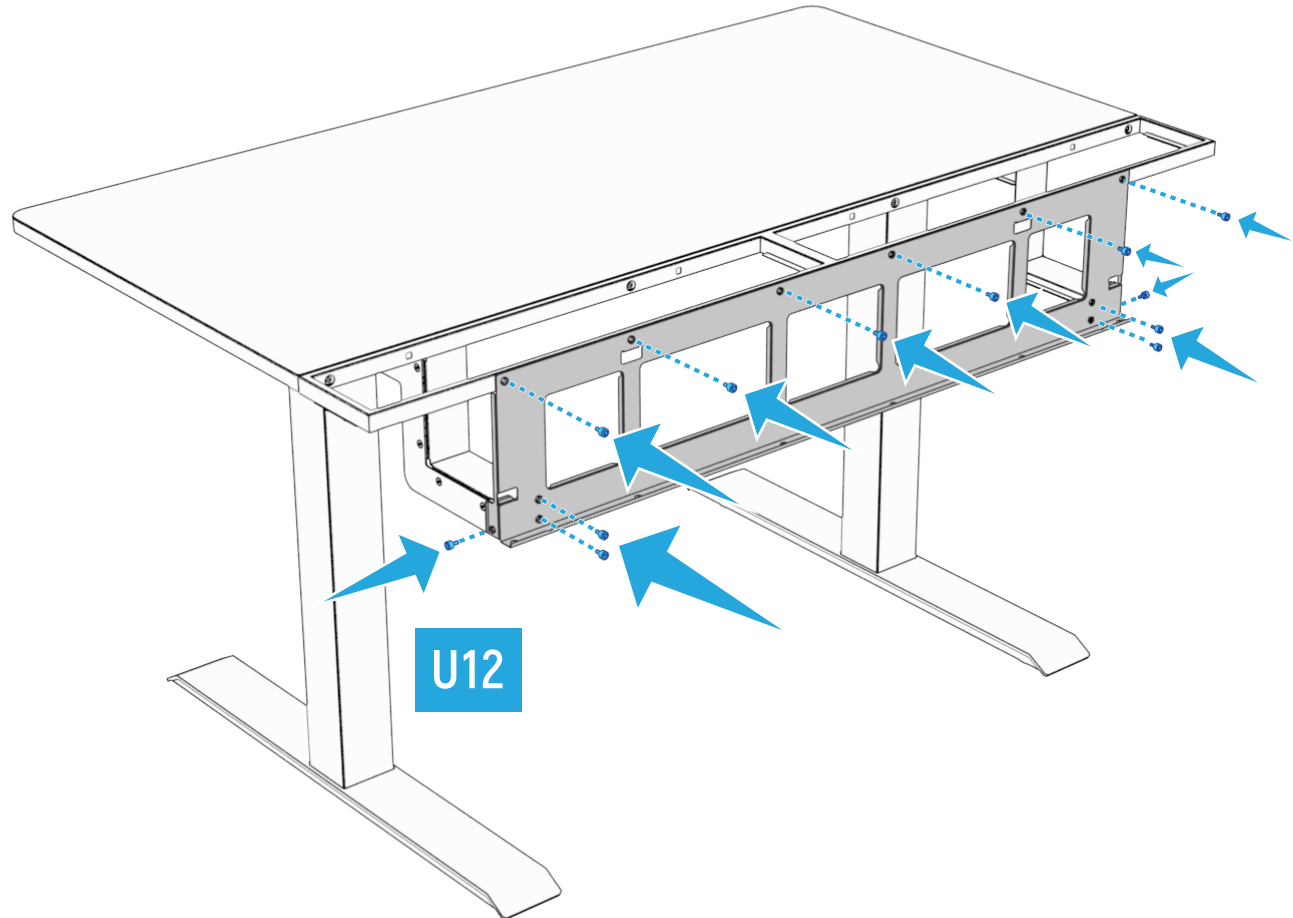
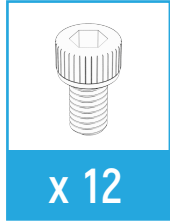
3



5.6 ASSEMBLE THE SUPPORT PANEL



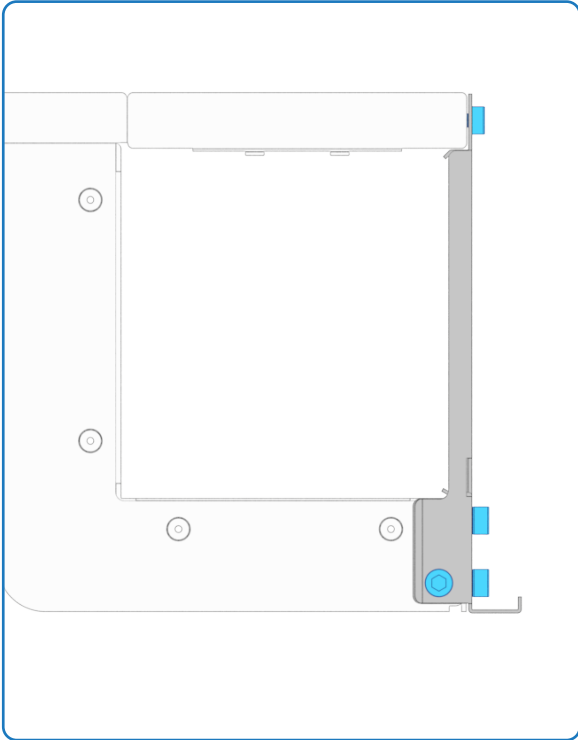
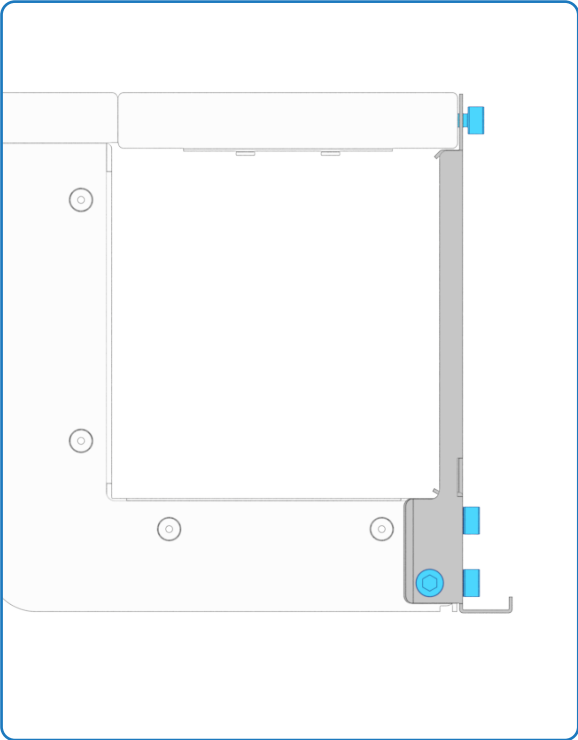
4



5.6 ASSEMBLE THE SUPPORT PANEL



4



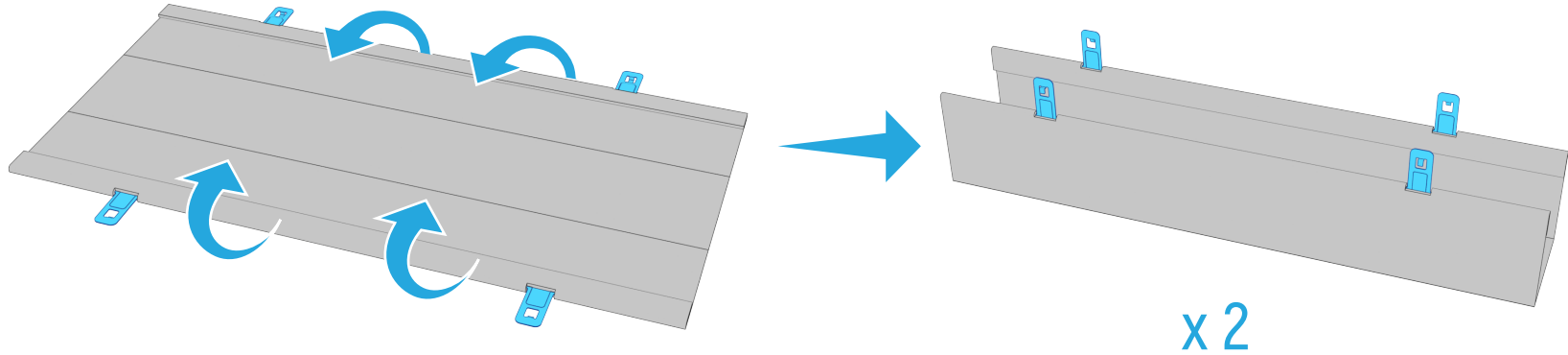


5.7 ASSEMBLE THE CABLE POCKETS

5.7 ASSEMBLE THE CABLE POCKETS



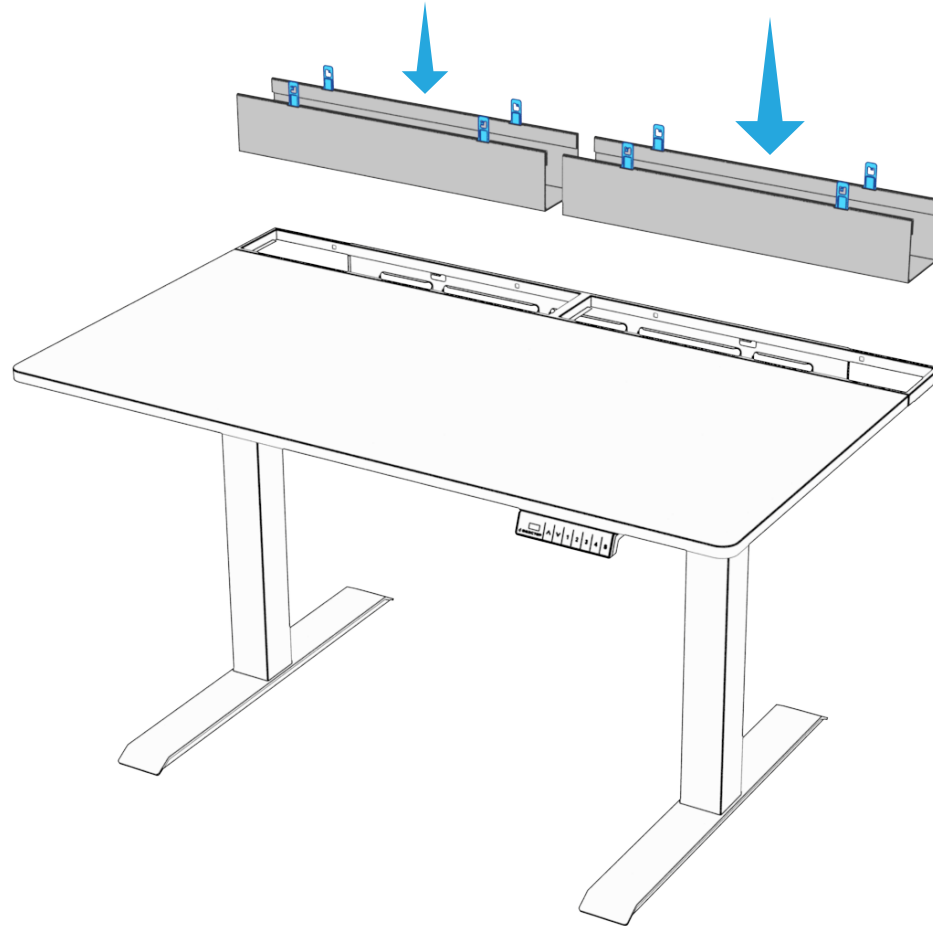
1



5.7 ASSEMBLE THE CABLE POCKETS



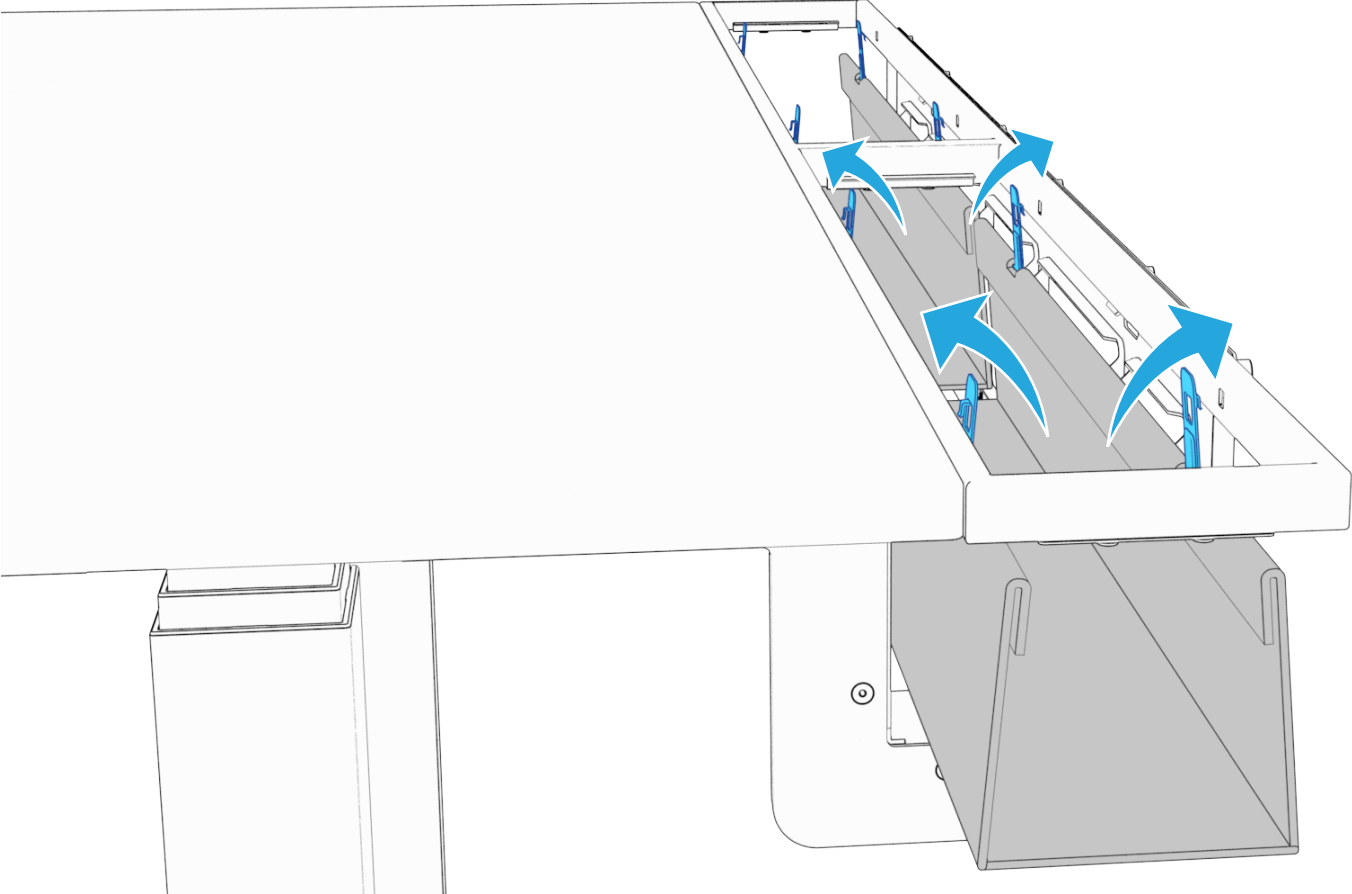
2



5.7 ASSEMBLE THE CABLE POCKETS



3



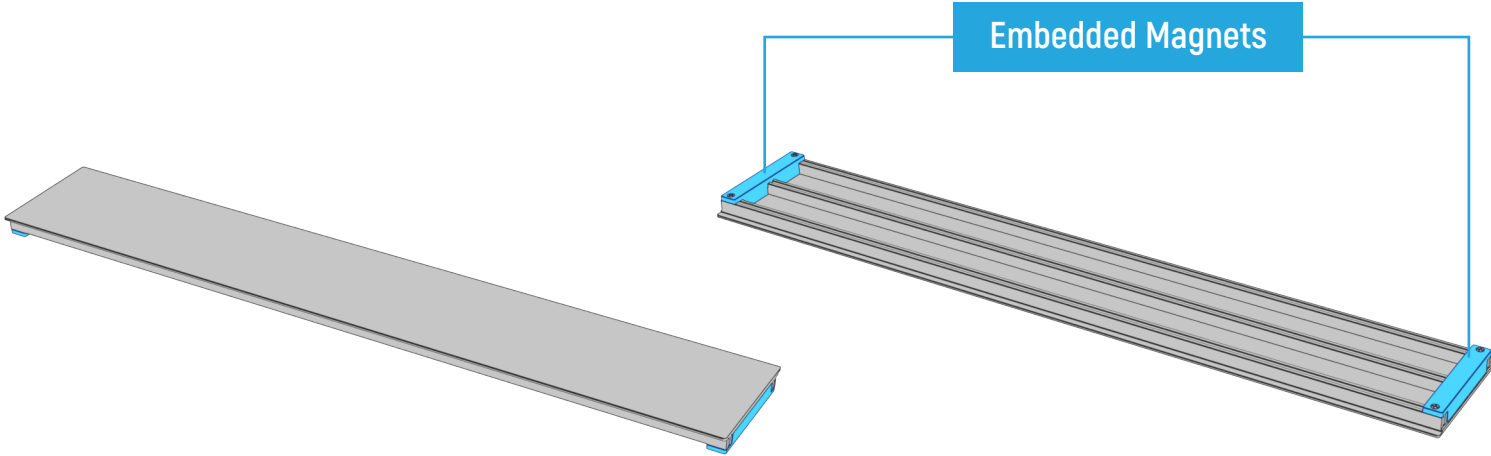


5.8 ASSEMBLE THE MAGNETIC COVERS

5.8 ASSEMBLE THE MAGNETIC COVERS



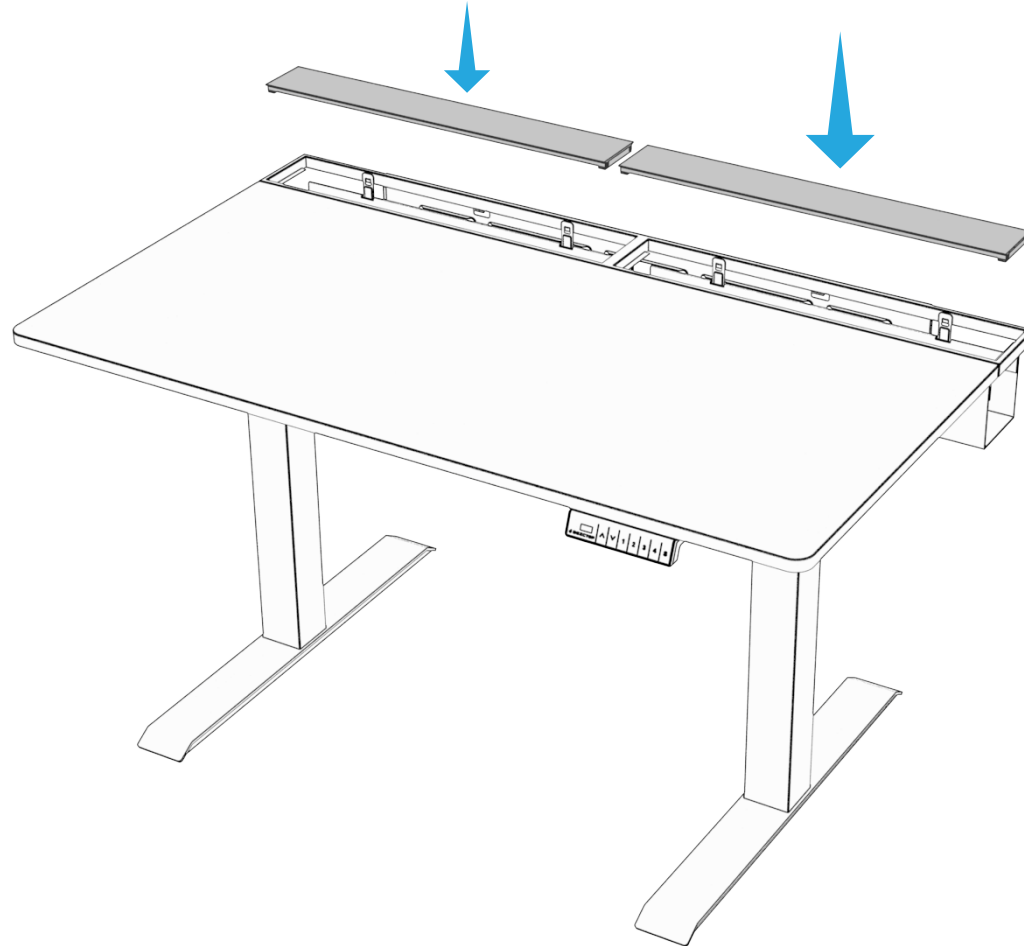
1



5.8 ASSEMBLE THE MAGNETIC COVERS



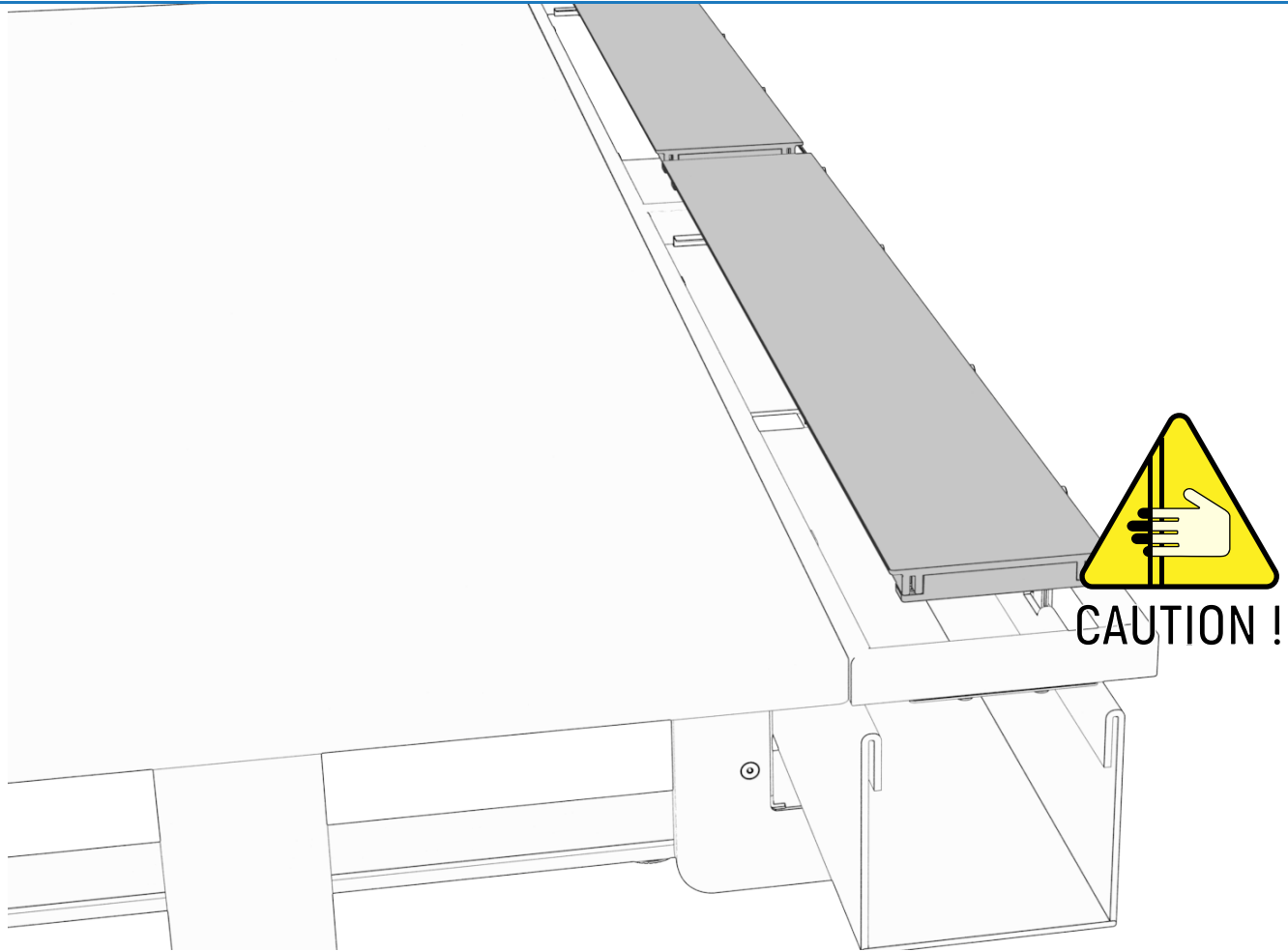
2



5.8 ASSEMBLE THE MAGNETIC COVERS



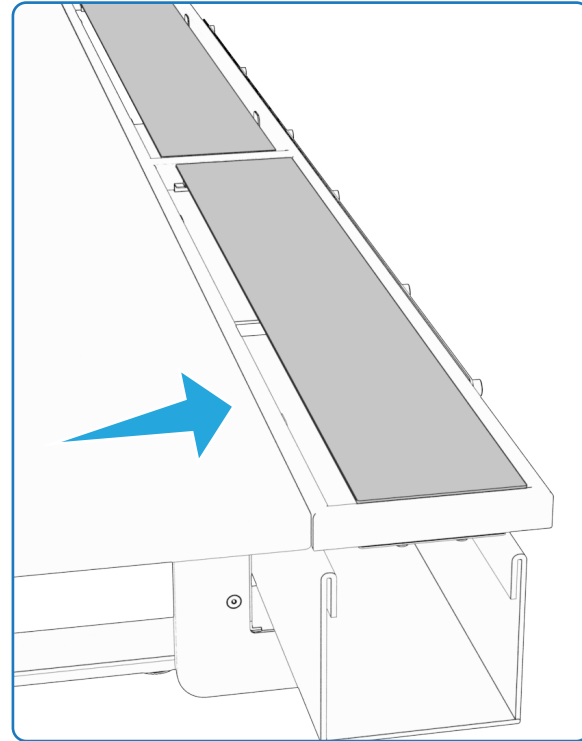
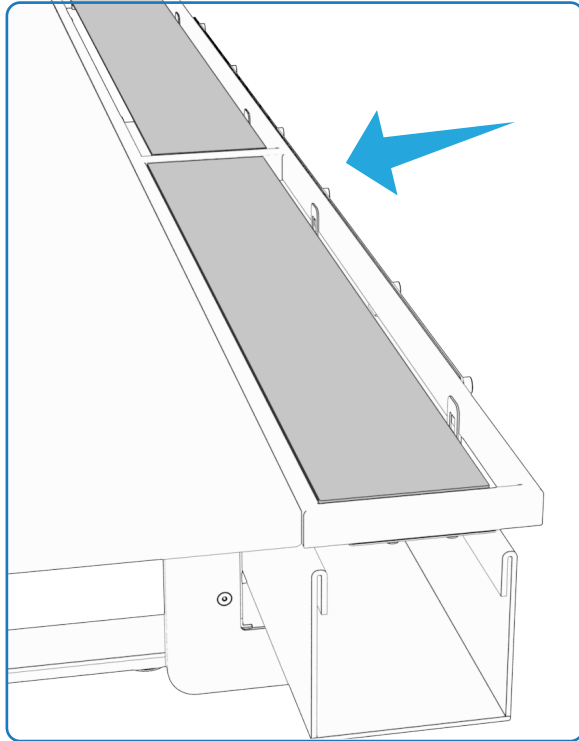
3



5.8 ASSEMBLE THE MAGNETIC COVERS



3



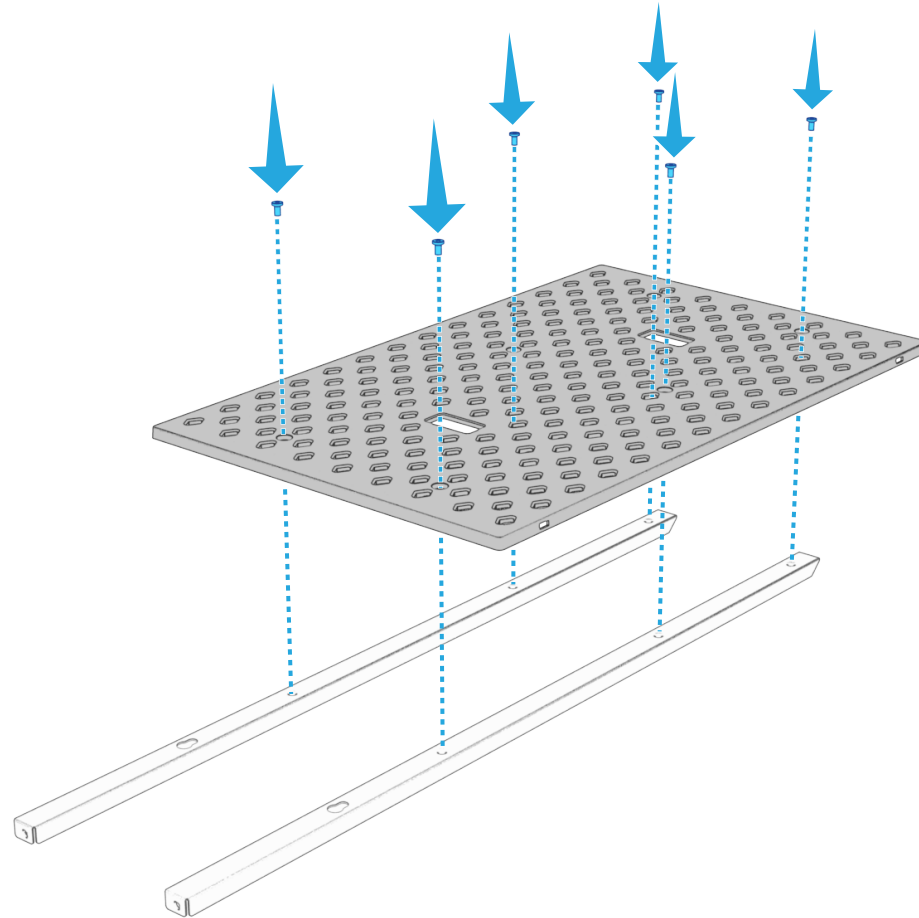
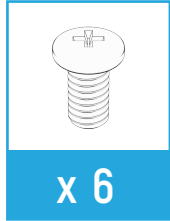


5.9 ASSEMBLE THE D-BOARD

5.9 ASSEMBLE THE D-BOARD



1



D5

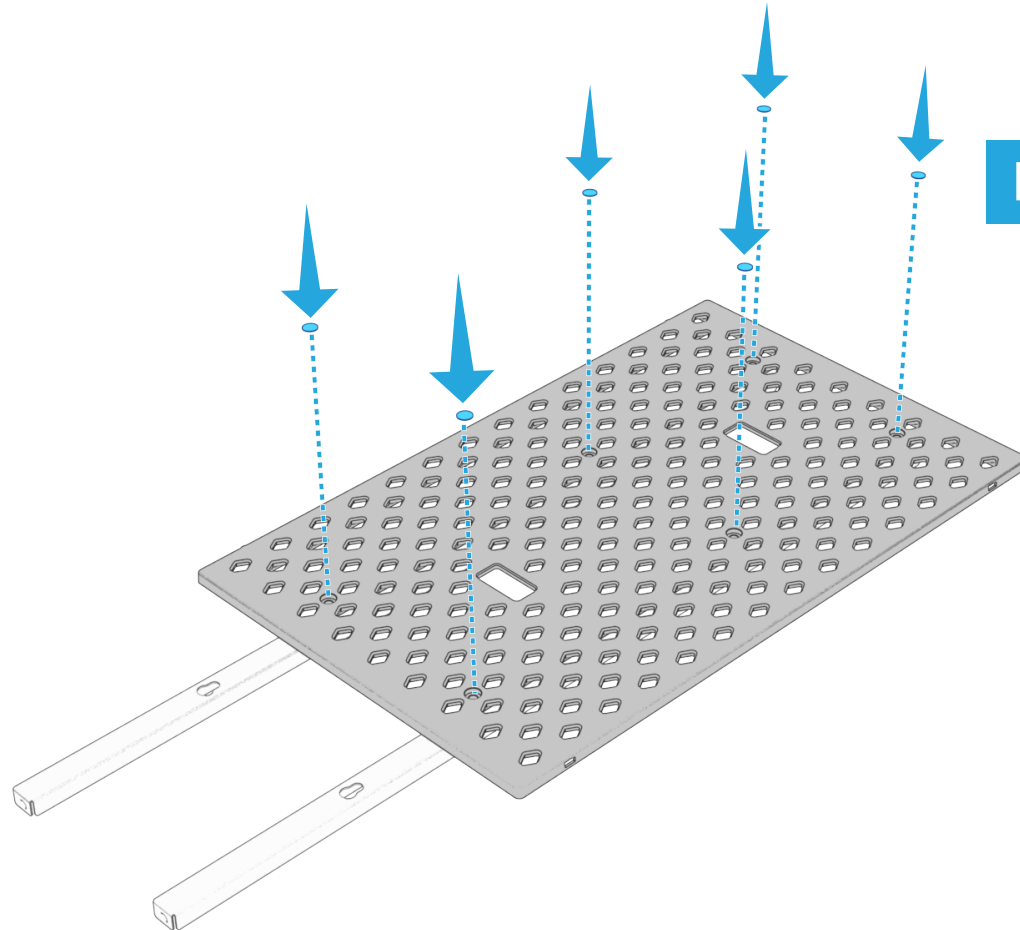
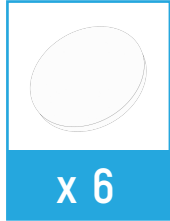
D1

D2

5.9 ASSEMBLE THE D-BOARD



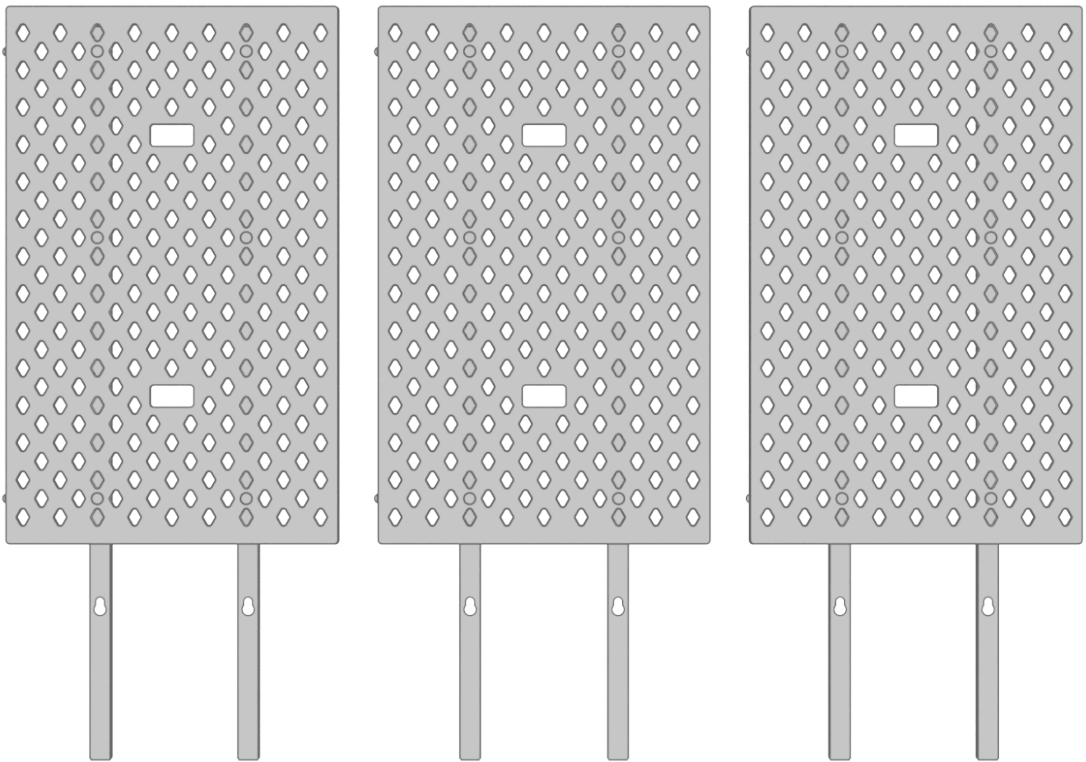
2



5.9 ASSEMBLE THE D-BOARD



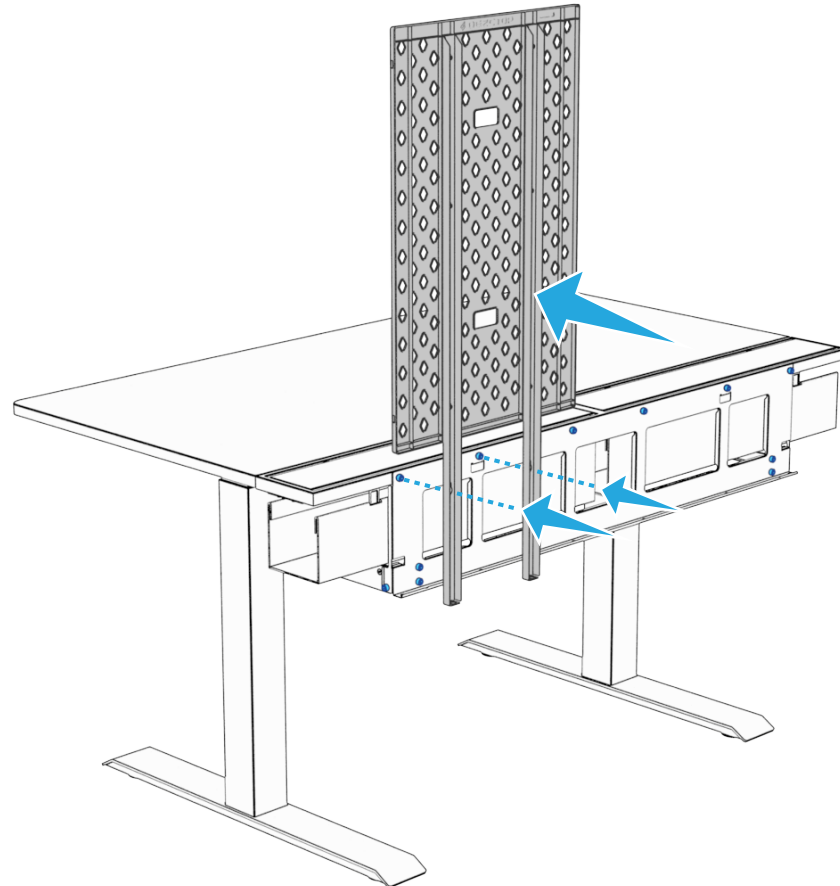
3



5.9 ASSEMBLE THE D-BOARD



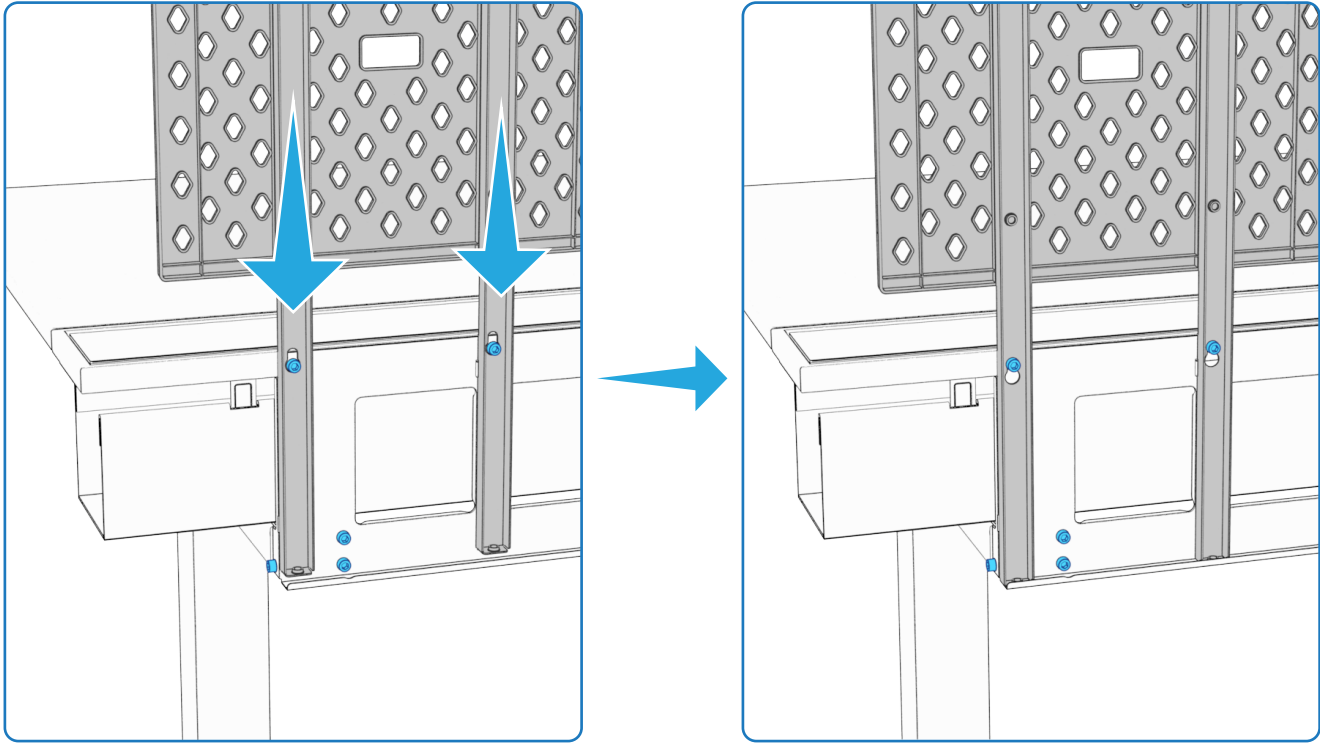
4



5.9 ASSEMBLE THE D-BOARD



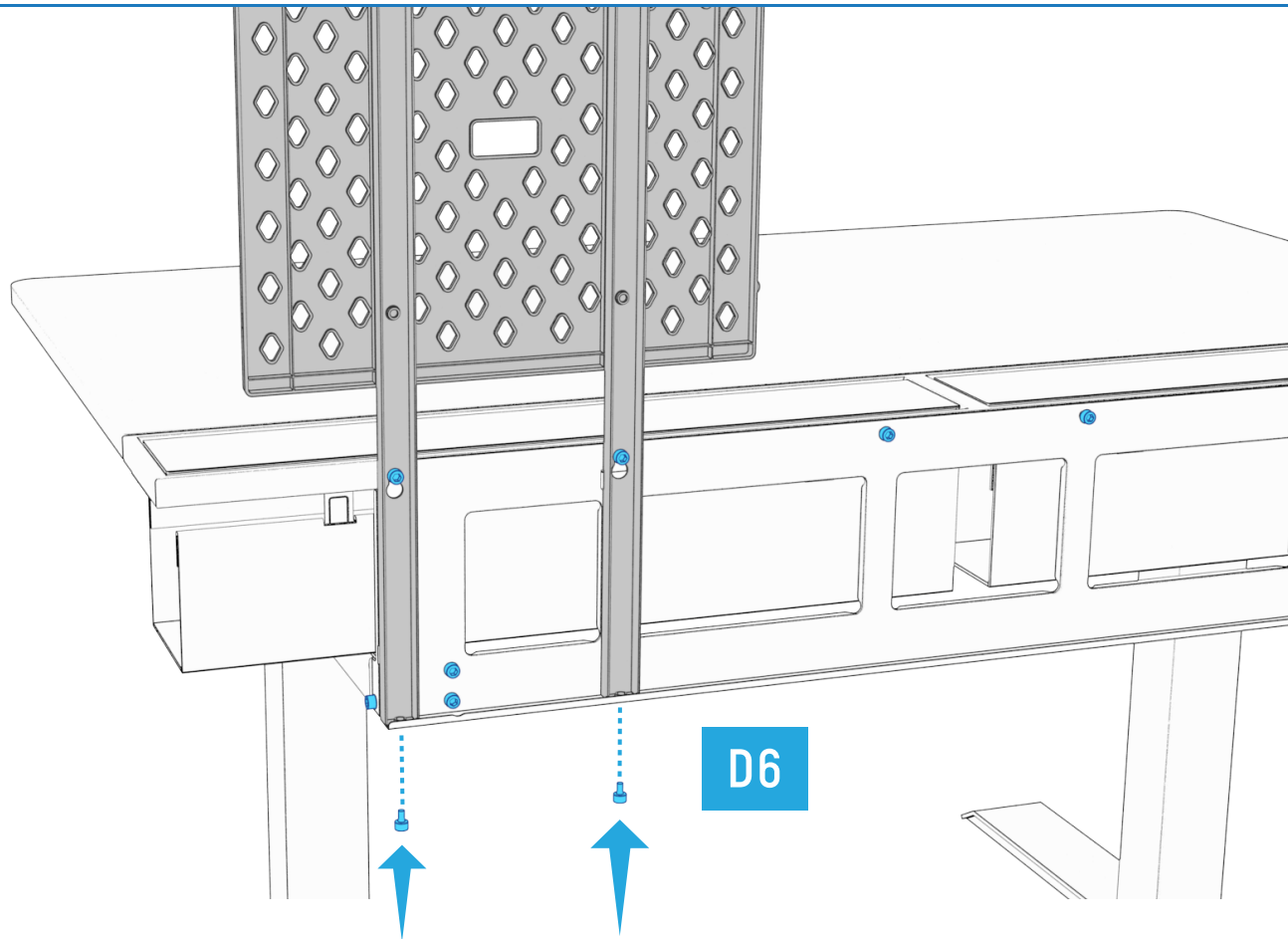
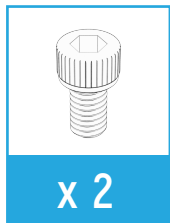
4



5.9 ASSEMBLE THE D-BOARD



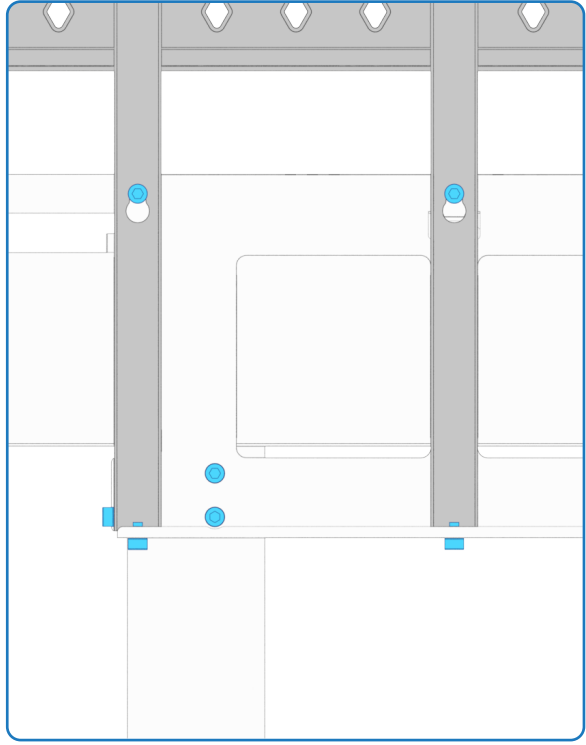
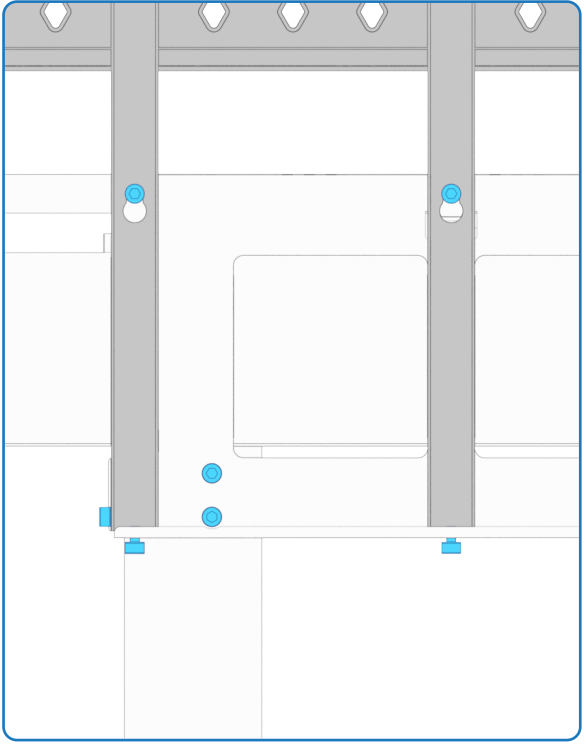
5



5.9 ASSEMBLE THE D-BOARD



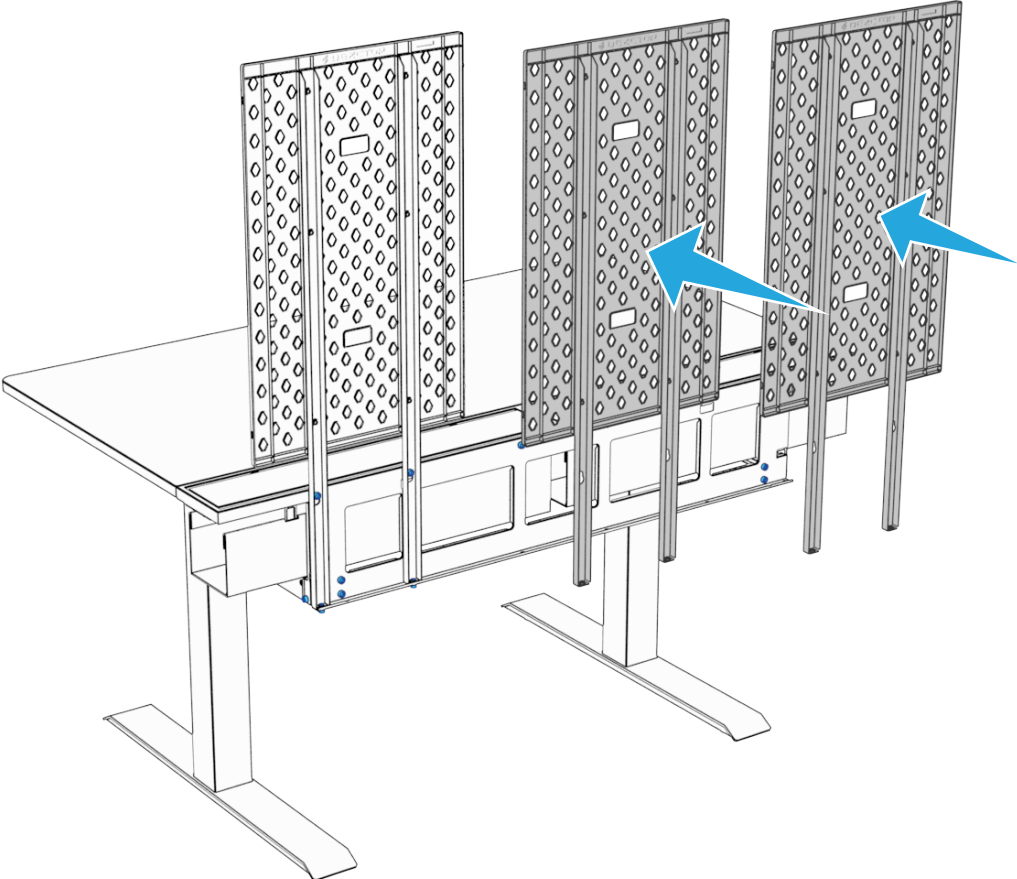
5



5.9 ASSEMBLE THE D-BOARD



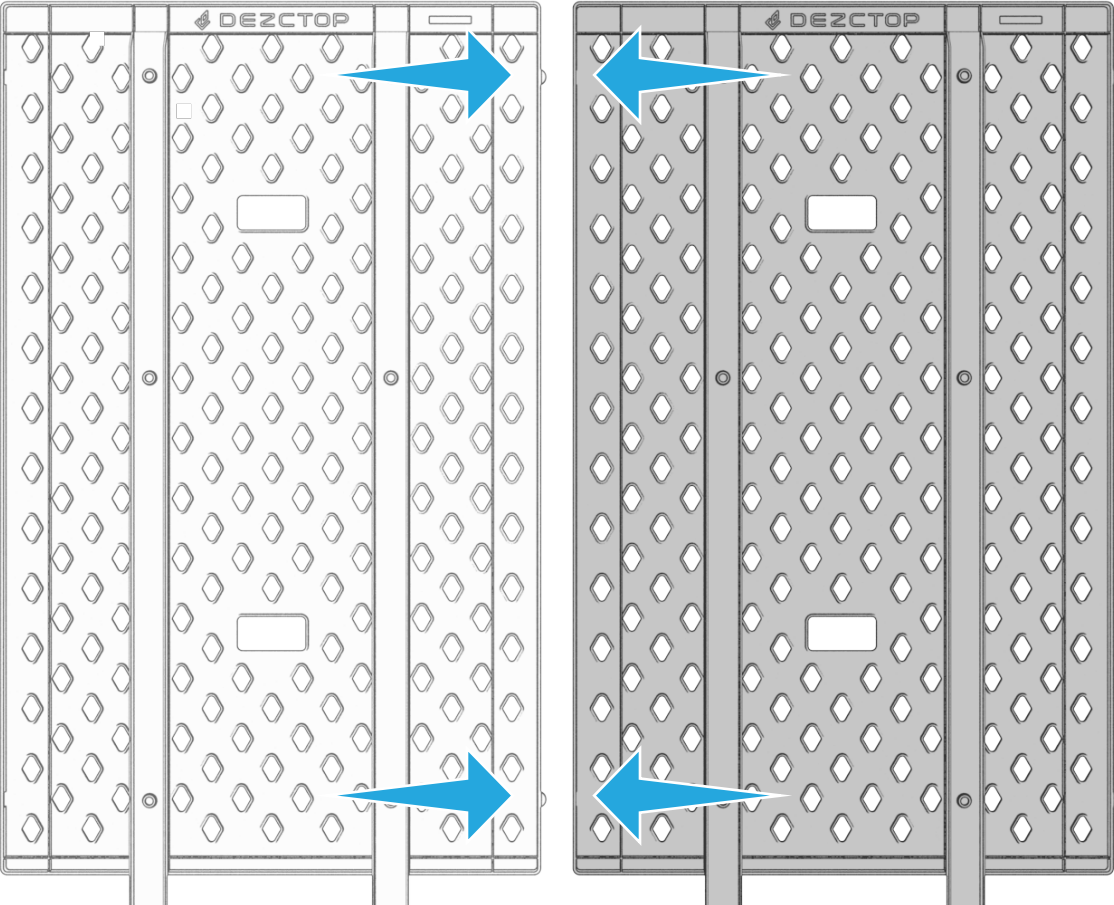
6



5.9 ASSEMBLE THE D-BOARD



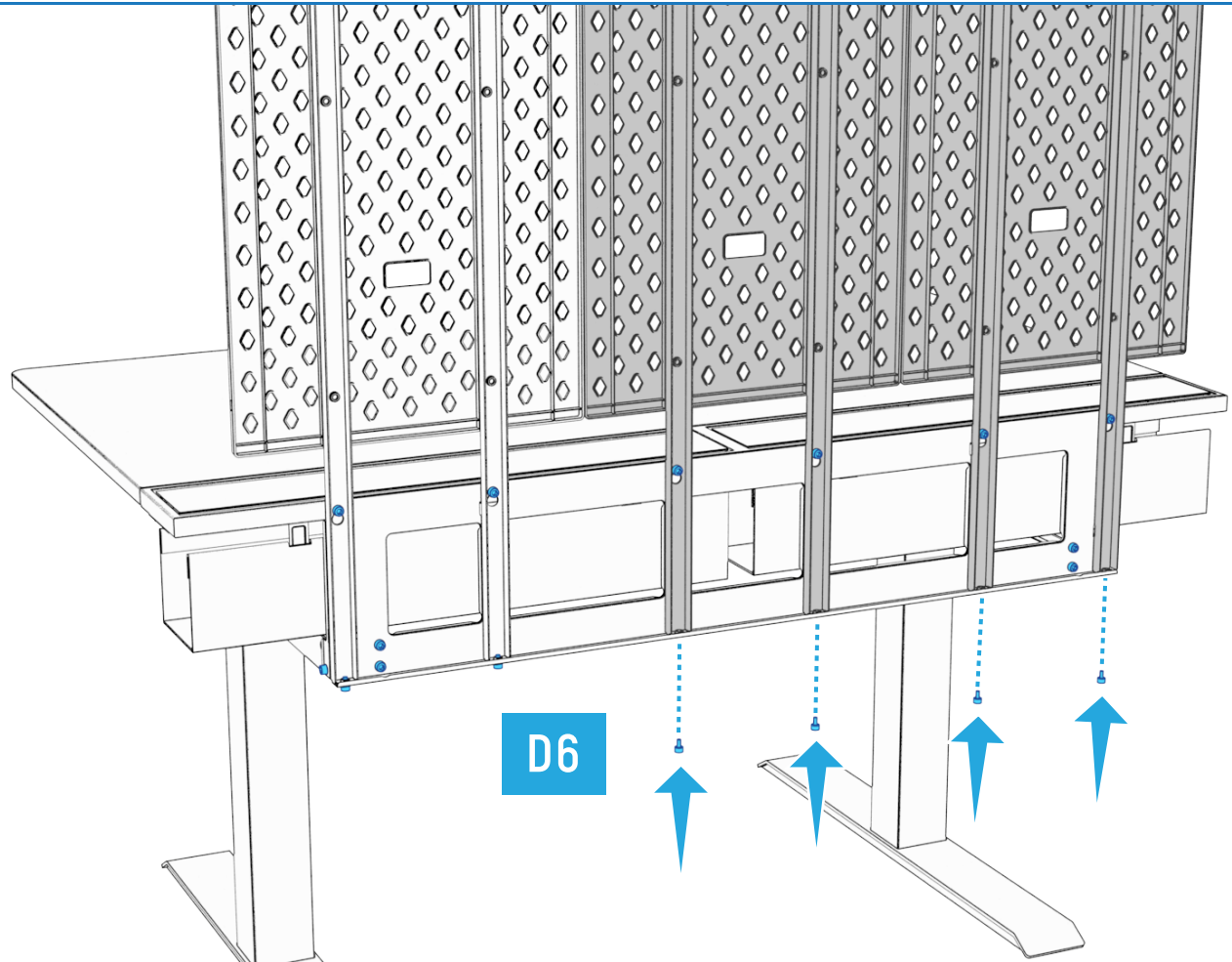
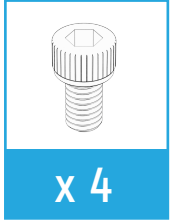
6



5.9 ASSEMBLE THE D-BOARD



7

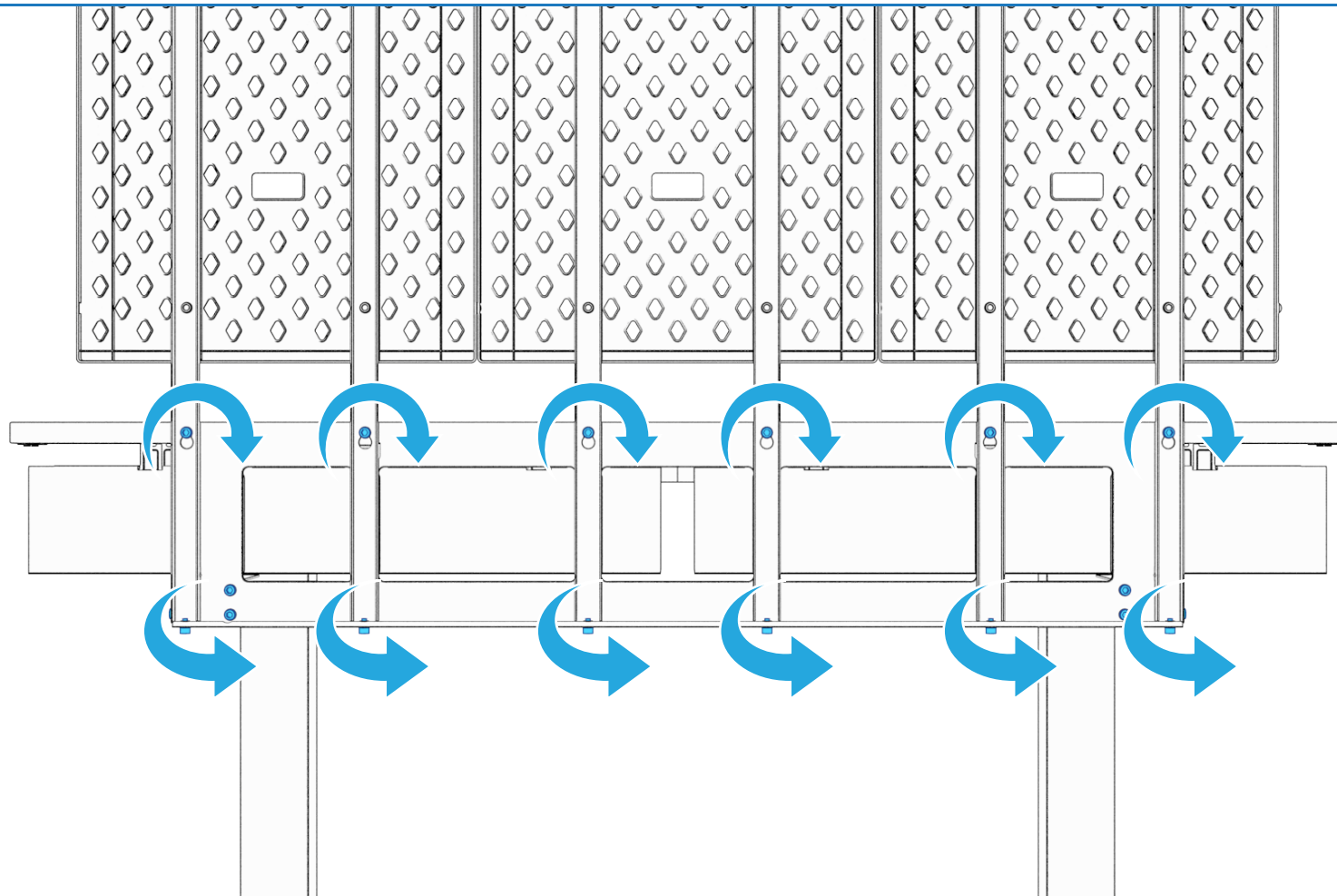


D6

5.9 ASSEMBLE THE D-BOARD



8



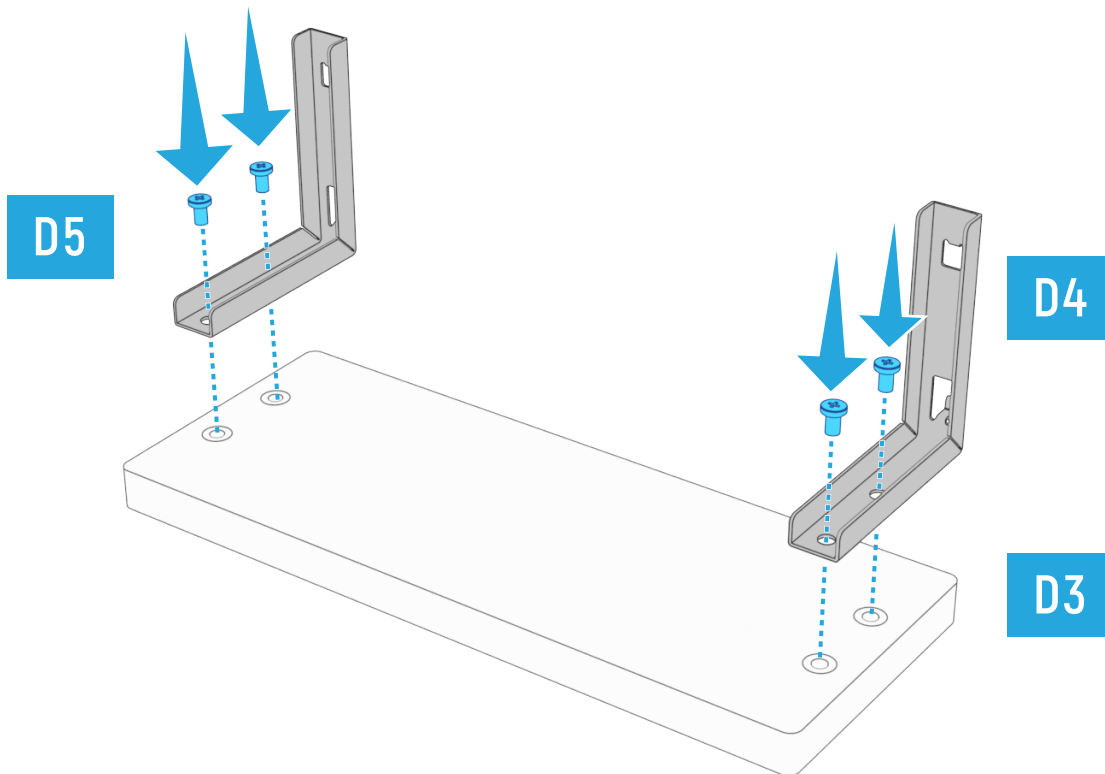
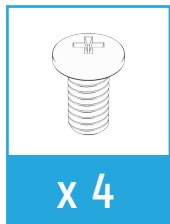


5.10 ASSEMBLE THE SHELVES

5.10 ASSEMBLE THE SHELVES



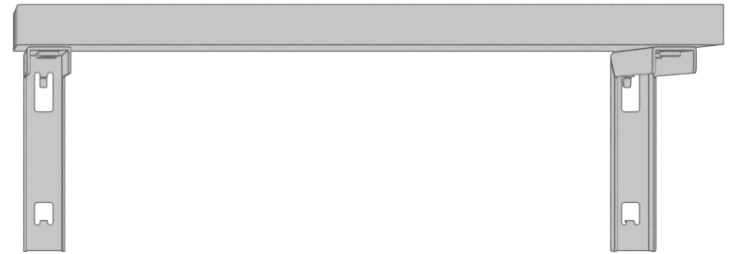
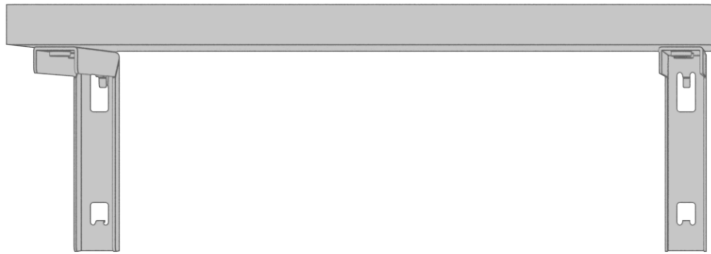
1



5.10 ASSEMBLE THE SHELVES



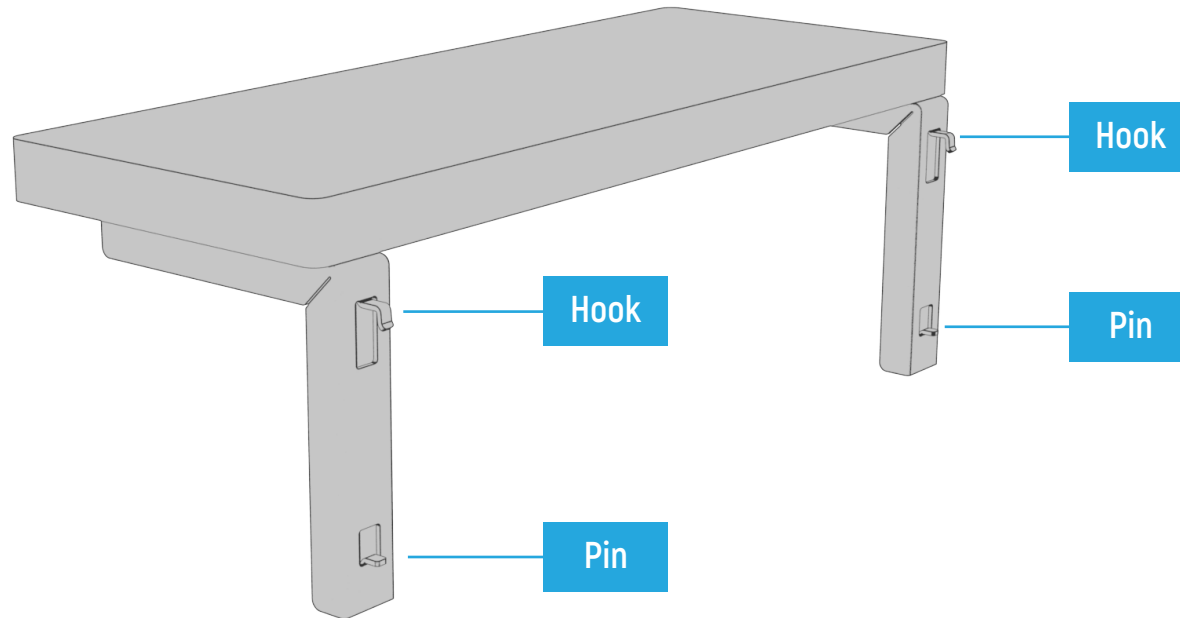
2



5.10 ASSEMBLE THE SHELVES



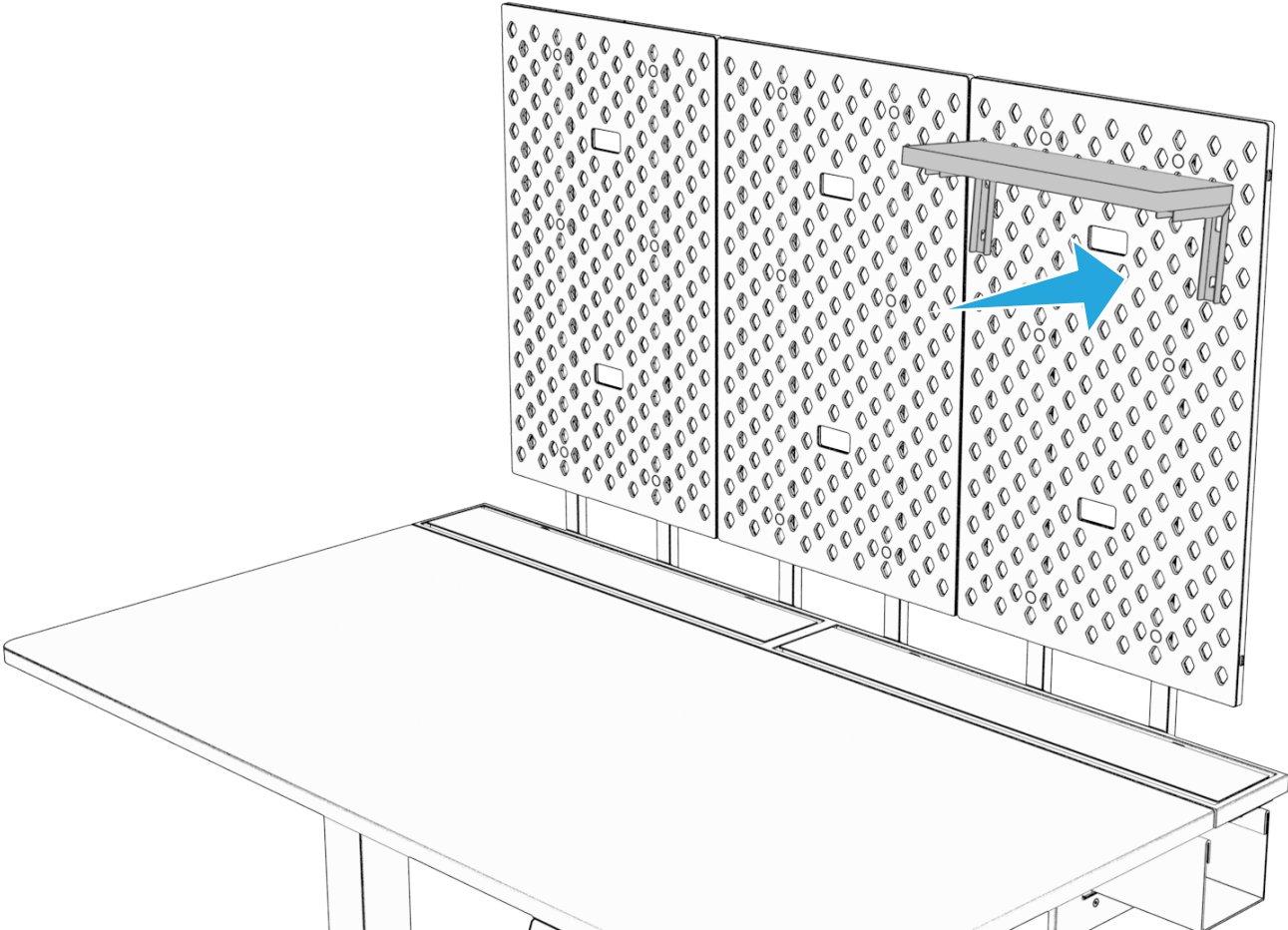
3



5.10 ASSEMBLE THE SHELVES



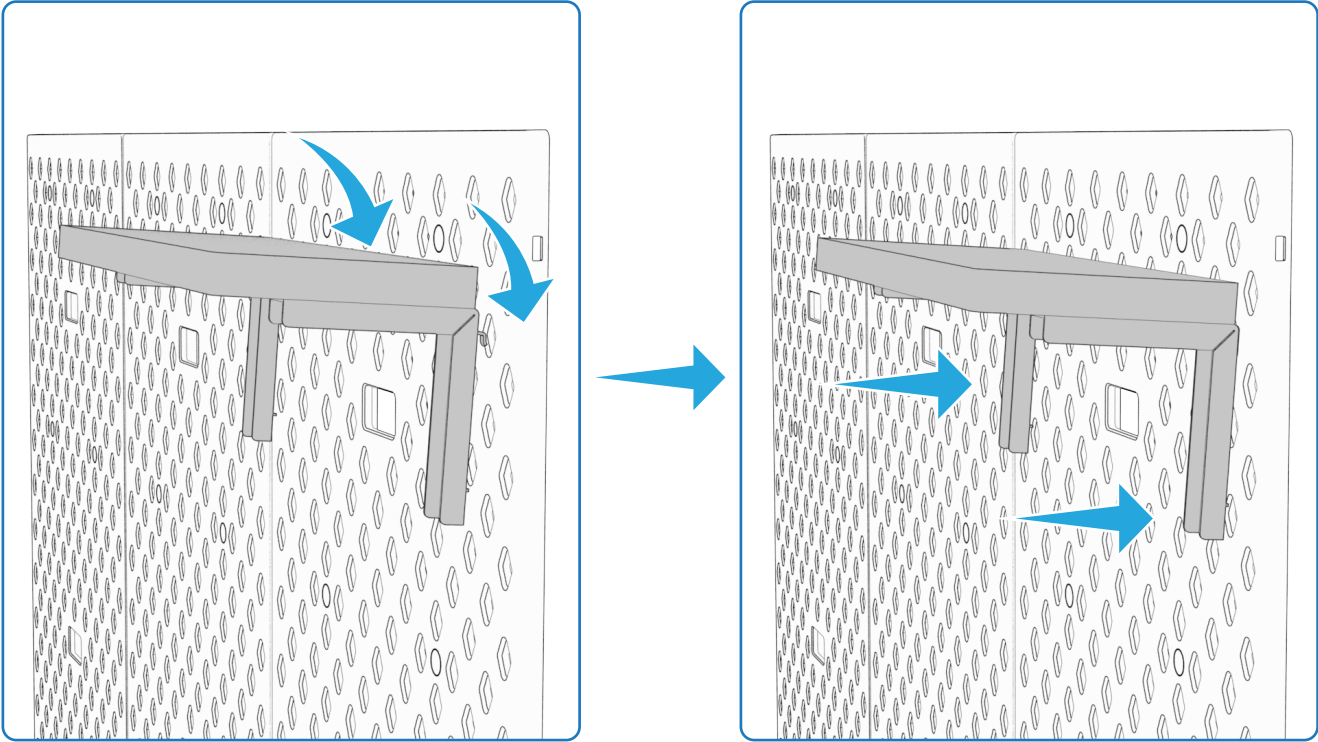
4



5.10 ASSEMBLE THE SHELVES



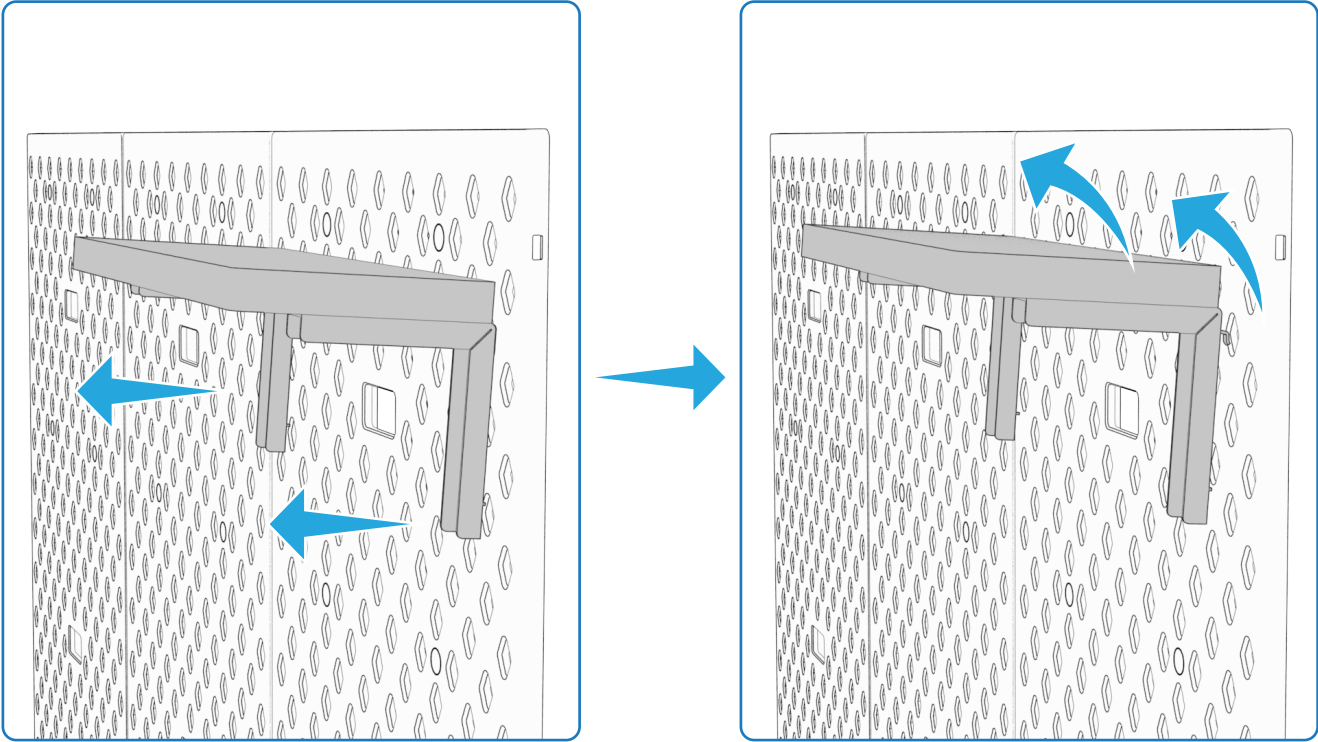
4 Mount



5.10 ASSEMBLE THE SHELVES



5 Remove



6 COMPATIBLE ACCESSORIES



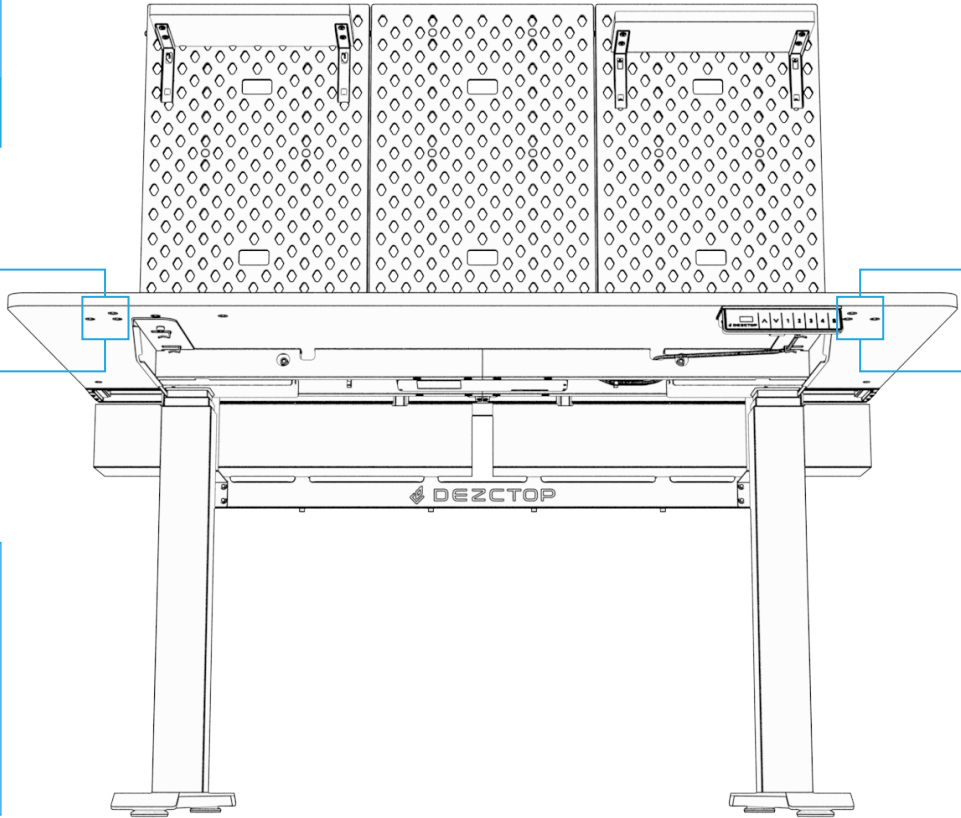
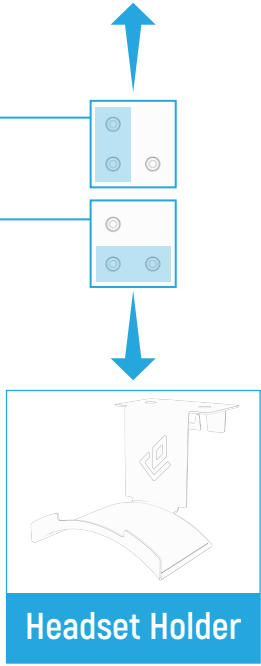
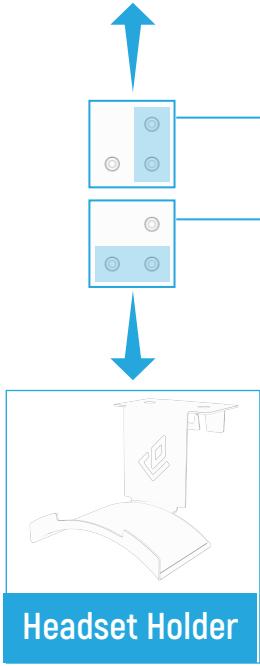
6.1 Compatible Desk Accessories 91

6.2 Compatible D-Board Accessories 93



6.1 COMPATIBLE DESK ACCESSORIES

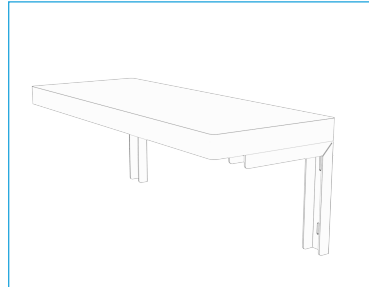
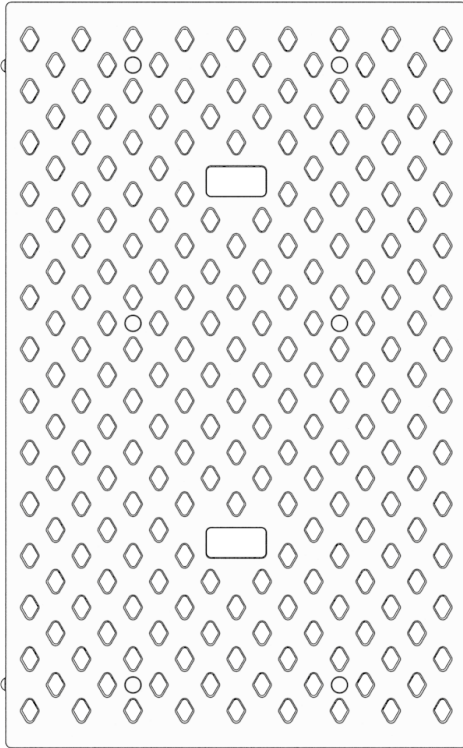
6.1 COMPATIBLE DESK ACCESSORIES



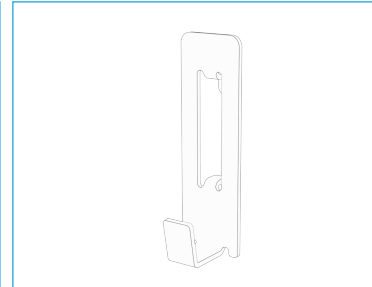


6.2 COMPATIBLE D-BOARD ACCESSORIES

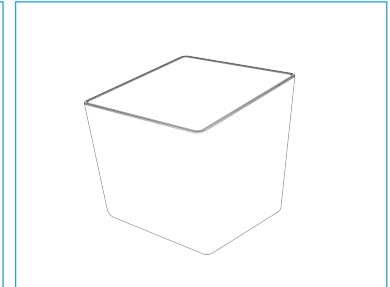
6.2 COMPATIBLE D-BOARD ACCESSORIES



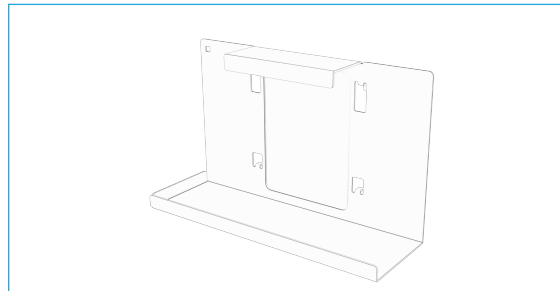
D-Board Shelves



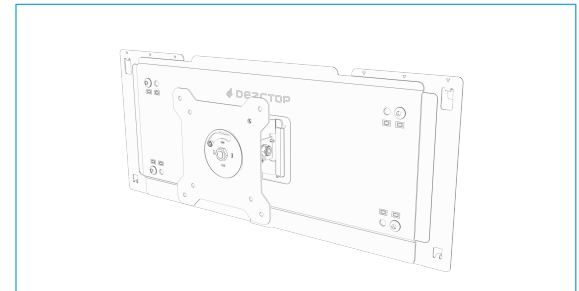
D-Board Hook



D-Board Container



D-Board Holder for Nintendo Switch



D-Board Monitor Mount